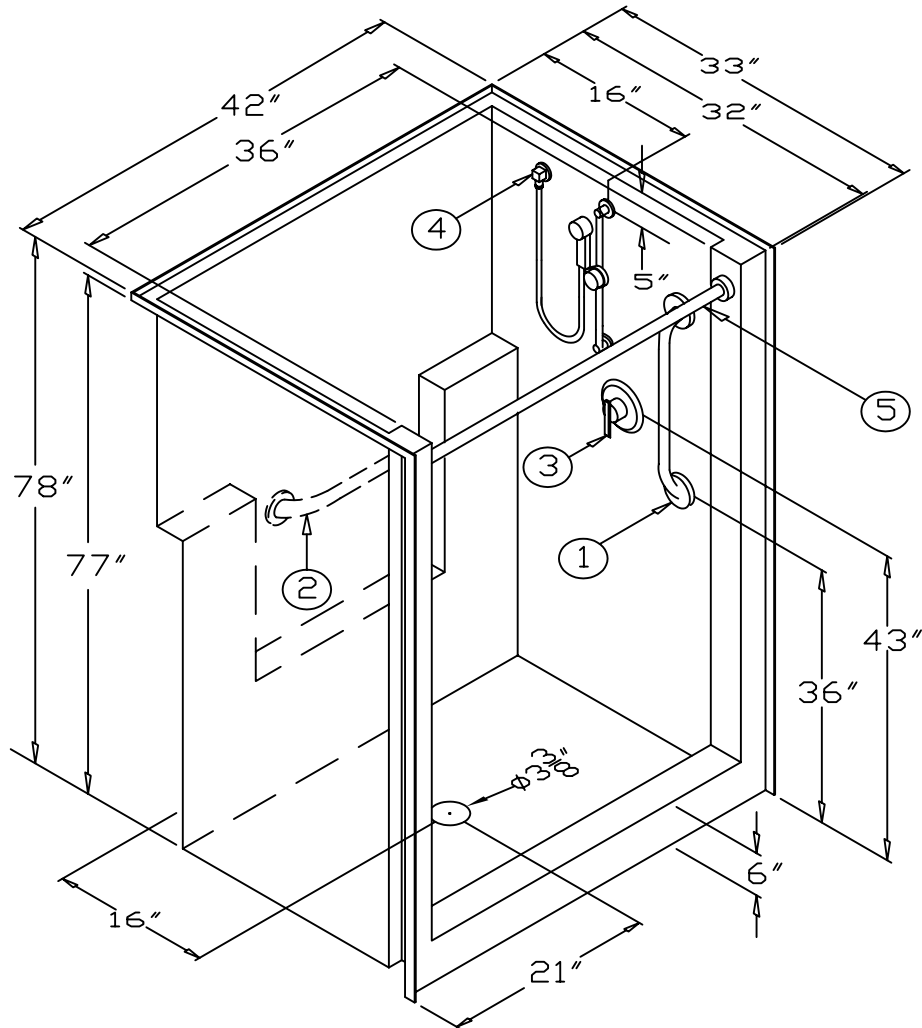


INDEPENDENCE LINE



4232SD SHOWER STALL

42" Shower Stall with Molded Soap Dish and 6" Apron

RECOMMENDED ACCESSORIES

- | | |
|--------------------------------------|--------------------------------|
| 1. GRAB BAR <u>#5024</u> | 4. SHOWER HEAD <u>#CHGB-24</u> |
| 2. GRAB BAR <u>#5014</u> | 5. CURTAIN ROD <u>#IN-36</u> |
| 3. SHOWER CONTROLS <u>#CH-SSMV-1</u> | |

CLARION BATHWARE

44 AMSLER AVE.
SHIPPENVILLE. PA. 16254

PHONE: (814) 226-5374
FAX: (814) 226-0730

www.clarionbathware.com