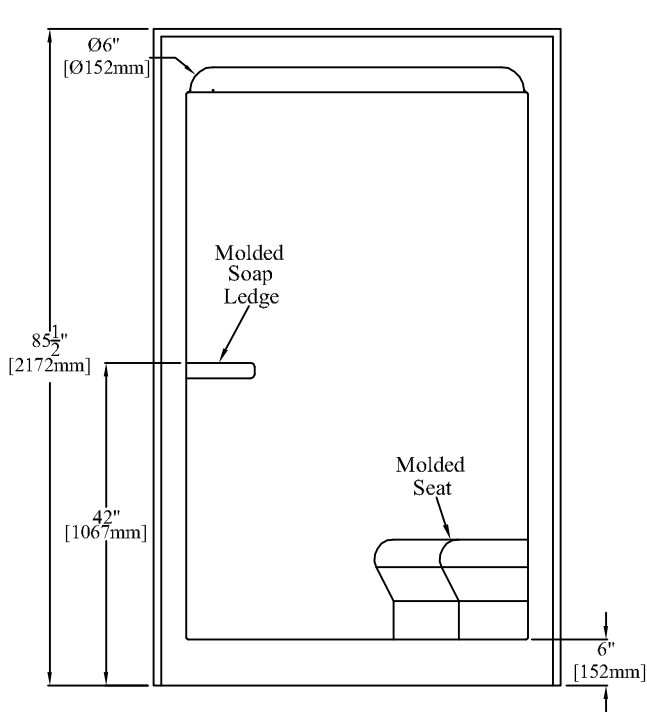
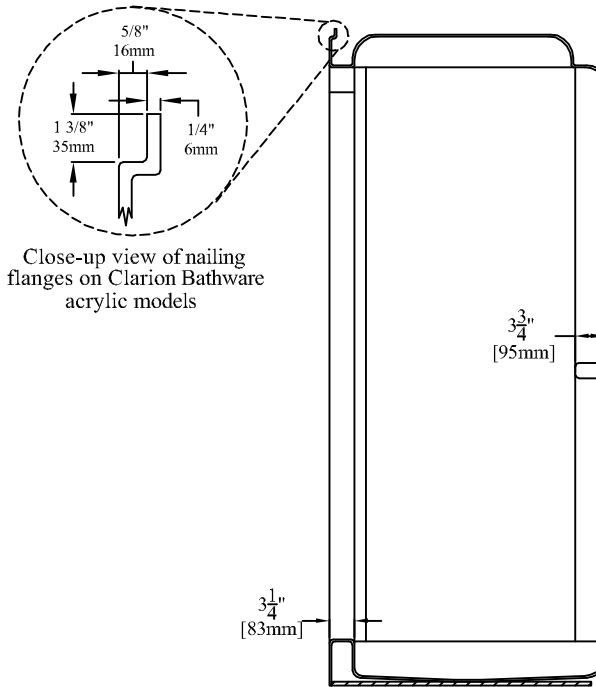


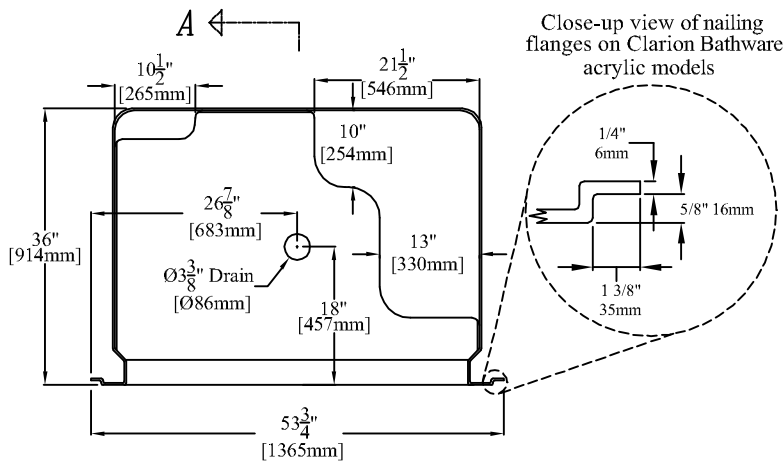
Clarion Bathware



ELEVATION



SECTION "A-A"



PLAN

*1-Piece Acrylic Shower With
 6" [152mm] Threshold, Molded Soap Ledge, Integral Dome
 & Molded Seat located Opposite Valve Wall*

Left Hand Version (AFL5336/S) Shown

PRODUCT SPECIFICATIONS:

- * Product complies with NAHB, HUD UM-73A, and ANSI-Z124.2.
- * Units are thermoformed from continuous cast acrylic sheet into a one piece, seamless unit.
- * Integral Dome
- * Reinforced & slip resistant floor.
- * Integral $1\ 3/8''$ [35mm] nailing flange.
- * Molded soap ledge located on the valve wall.
- * Molded seat located opposite the valve wall.
- * Door Opening: W-44 $7/8''$ [1140mm]
 H-70 $1/2''$ [1791mm]
- * Framing Pocket Dimensions:
 W-50"-51 $3/4''$ [1270mm-1314mm]
 D-36" [914mm]
 H-84 $1/2''$ [2146mm]
- * All dimensions +/- $1/4''$ [6.4mm]
- * Clarion Bathware reserves the right to change design and/or dimensions.

Model AFL5336/S or AFR5336/S

1-Piece Acrylic Shower with 6" [152mm] Threshold, Molded Soap Ledge, Integral Dome & Molded Seat Located Opposite Valve Wall

Clarion
 BATHWARE
 44 Amsler Ave.
 Shipperville, PA 16254

Phone: (814) 226-5374
 Toll Free: (800) 576-9228
 Fax: (814) 226-0730
 www.clarionbathware.com

Signatures For Approval:

Customer: _____
 Arch./Engr: _____
 Contractor: _____
 Cla. Engr: _____

Date:

Dwg. Name:
 AFL5336S
 or AFR5336S-CUT
 Dwg. By: DJC
 DATE: 3/19/09