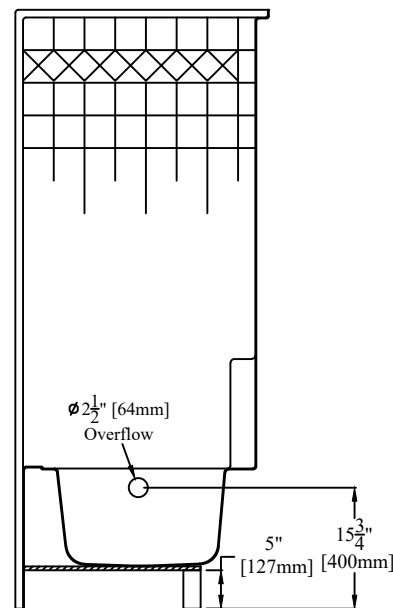
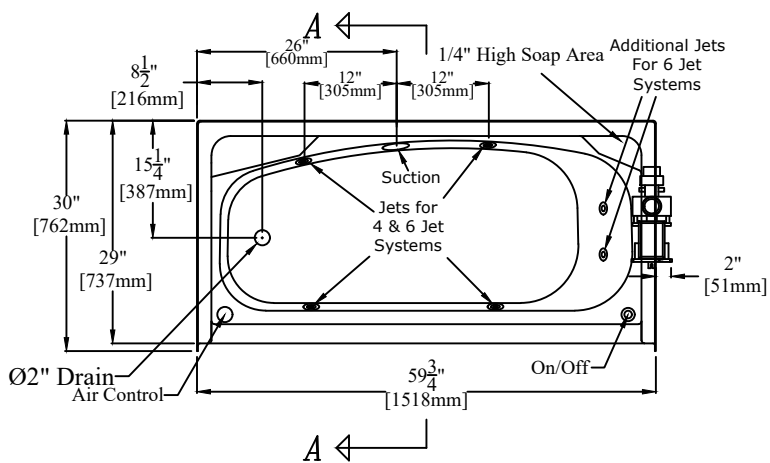


**ELEVATION**



**SECTION "A-A"**



**PLAN**

*59 3/4" [1518mm] Tiled Tub/Shower w/ Molded Shelving & 4 or 6 Jet Whirlpool Package*

*Left Hand Version (RE8830LX:4 or RE8830LX:6) Shown*

**PRODUCT SPECIFICATIONS:**

- Certified to meet CSA B45.5/IAPMO Z124 Standard.
- Product has a Class B fire rating as determined by ASTM E-84 test method.
- When installing this whirlpool, an access area should be provided near the location of the whirlpool pump for future access. An access area is required by many local, state & federal building codes.
- Recommended access area dimensions: W-20" [508mm]  
H-15" [381mm]
- Molded Shelving.
- Reinforced & slip resistant floor.
- Sufficient drain clearance to accommodate above the floor plumbing.
- Integral 1" [25mm] nailing flange.
- Factory drilled 2 1/2" [64mm] overflow.
- Door Opening: W-56" [1422mm]  
H-58" [1473mm]
- Bathwell Dimensions (At Top): W-53" [1346mm]  
D-21 3/4" [552mm]  
H-13 1/2" [343mm]
- Bathwell Dimensions (At Bottom): W-43" [1092mm]  
D-18 1/4" [464mm]
- Bathwell Capacity (At Overflow): 32 Gal [121L]
- Water Level (At Overflow): 8 3/4" [222mm]
- On a 6 jet system the pump will stick out up to 2" from the rough-in dimensions.
- All dimensions +/- 1/2" [12.8mm]
- Clarion Bathware reserves the right to change design and/or dimensions.
- Dimensions are the same for RE, MP, and all other versions of this model.

**RE8830LX:4, RE8830LX:6, RE8830RX:4 or RE8830RX:6**

**59 3/4" Tiled Tub/Shower w/ 18-1/2" Apron, Molded Shelving & 4 or 6 Jet Whirlpool Package**

**Clarion**

BATHWARE  
44 Amsler Ave.  
Shippenville, PA 16254

Phone: (814) 226-5374  
Toll Free: (800) 576-9228  
Fax: (814) 226-0730  
www.clarionbathware.com

Signatures For Approval:

Customer: \_\_\_\_\_  
Arch./Engr: \_\_\_\_\_

Quote #: \_\_\_\_\_  
Job Name: \_\_\_\_\_

Date:

\_\_\_\_\_  
\_\_\_\_\_

Dwg. #  
RE8830LX or RX  
- 4&6 JETCUT

Dwg. By: CAL  
DATE: 5/11/2021

**\*\*\* IMPORTANT NOTICE \*\*\***

Clarion Bathware reserves the right to change the design and/or dimensions of its products at any time. This drawing may have been updated since this publication was issued. Before placing an order for any product, refer to our website at [www.clarionbathware.com](http://www.clarionbathware.com) to obtain the most current drawings for any products that you wish to purchase. Compare the date of revision of the drawing that you have with the one on the drawing on our website. If you do not have internet access, please call your sales representative or Clarion Bathware's sales department at 1-800-576-9228.