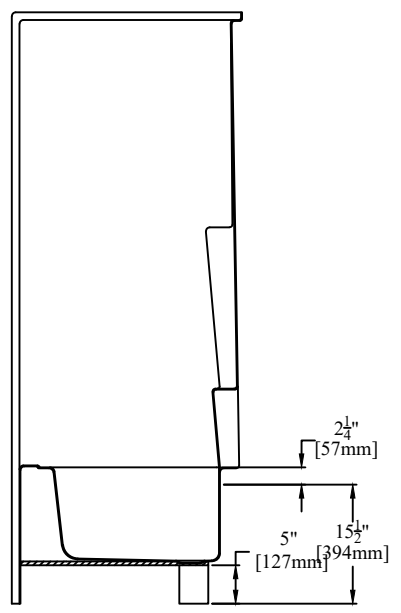
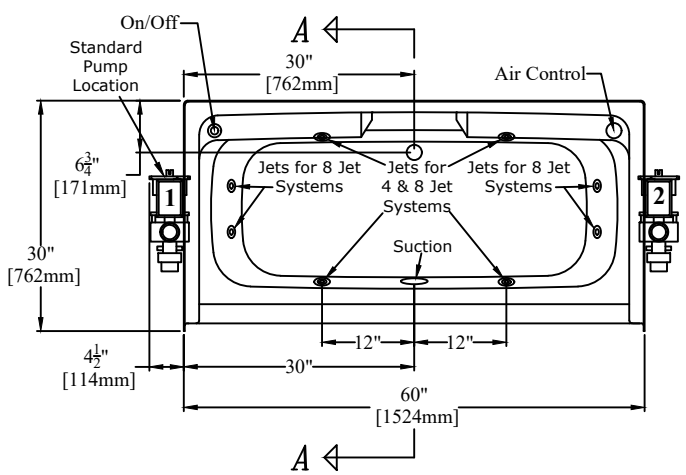


ELEVATION



SECTION "A-A"

*** For clarity, ***
the whirlpool piping
has been omitted
from this drawing



PLAN

*60" [1524mm] Tub/Shower
w/ Molded Shelving & 4 or 8 Jet Whirlpool Package*

REAR CENTER DRAIN

PRODUCT SPECIFICATIONS:

- Certified to meet CSA B45.5/IAPMO Z124 Standard.
- Product has a Class B fire rating as determined by ASTM E-84 test method.
- When installing this whirlpool, an access area should be provided near the location of the whirlpool pump for future access. An access area is required by many local, state & federal building codes.
- Recommended access area dimensions: W-20" [508mm] x H-15" [381mm]
- Reinforced & slip resistant floor.
- Integral 1" [25mm] nailing flange.
- Factory drilled 2 1/2" [64mm] overflow.
- Molded shelving on back wall of unit.
- Door Opening: W-55 5/8" [1413mm] x H-57 1/2" [1461mm]
- Bathwell Dimensions (At Top): W-52" [1320mm] x D-21 1/2" [546mm] x H-12 1/4" [311mm]
- Bathwell Dimensions (At Bottom): W-46" [1168mm] x D-19" [483mm]
- Bathwell Capacity (At Overflow): 40 Gal [151L]
- Water Level (At Overflow): 8 3/4" [222mm]
- The pump location labeled 2 is an alternate pump location that is available.
- In either pump location, the pump will stick out from the rough-in dimensions by 1 1/2" on 4 jet systems and by 4 1/2" on 8 jet systems.
- This unit is available without an overflow (Model RE7930XM:4 or MP7930XM:8).
- All dimensions +/- 1/2" [12.8mm]
- Clarion Bathware reserves the right to change design and/or dimensions.

RE7930X:4 & RE7930X:8

**60" [1524mm] Tub/Shower w/ Molded Shelving, Rear Center Drain,
& 4 or 8 Jet Whirlpool Package**

Clarion
BATHWARE
44 Amsler Ave.
Shipperville, PA 16254

Phone: (814) 226-5374
Toll Free: (800) 576-9228
Fax: (814) 226-0730
www.clarionbathware.com

Signatures For Approval:		Date:
Customer: _____	_____	_____
Arch./Engr: _____	_____	_____
Quote #: _____	_____	_____
Job Name: _____	_____	_____

Dwg. #
RE7930X
-4&6 JETCUT

Dwg. By: CAL
DATE: 5/11/2021

***** IMPORTANT NOTICE *****

Clarion Bathware reserves the right to change the design and/or dimensions of its products at any time. This drawing may have been updated since this publication was issued. Before placing an order for any product, refer to our website at www.clarionbathware.com to obtain the most current drawings for any products that you wish to purchase. Compare the date of revision of the drawing that you have with the one on the drawing on our website. If you do not have internet access, please call your sales representative or Clarion Bathware's sales department at 1-800-576-9228.