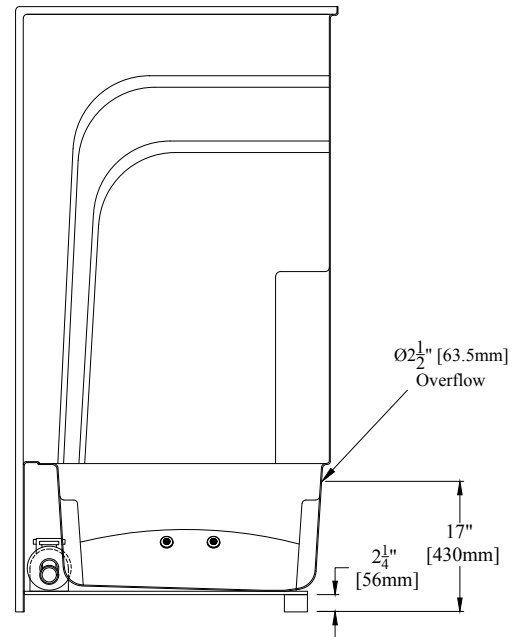


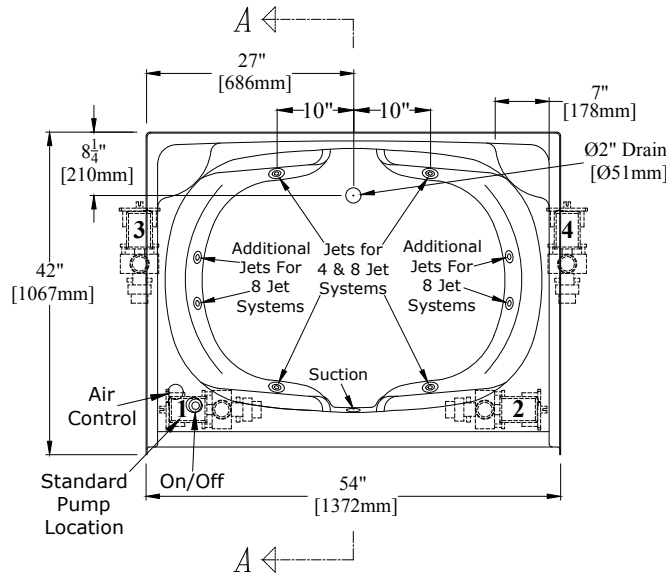
**ELEVATION**

Jets For 4  
And 6 Jet  
Models  
(2 Each Side)

\*\*\* For Clarity \*\*\*  
The whirlpool piping  
has been omitted  
from this drawing



**SECTION "A-A"**



**PLAN**

*54" [1372mm] Tub/Shower  
w/ Molded Step & 4 or 6 Jet Whirlpool Package*

*CENTER DRAIN*

**PRODUCT SPECIFICATIONS:**

- \* Product complies with NAHB, HUD UM-73A, and ANSI-Z124.1.2.
- \* Product has a Class B fire rating as determined by ASTM E-84 test method.
- \* When installing this whirlpool, an access area should be provided near the location of the whirlpool pump for future access. An access area is required by many local, state & federal building codes.
- \* Recommended access area dimensions: W-20" [508mm]  
H-15" [381mm]
- \* Reinforced & slip resistant floor.
- \* Integral 1" [25mm] nailing flange.
- \* Molded corner shelving.
- \* Spacious bathwell with molded arm rests and lumbar support.
- \* Factory drilled 2-1/2" [64mm] overflow.
- \* Door Opening: W-51" [1295mm]  
H-57 3/4" [1467mm]
- \* Bathwell Dimensions (At Top): W-49" [1245mm]  
D-34" [864mm]  
H-16 1/2" [419mm]
- \* Bathwell Dimensions (At Bottom): W-39 1/2" [1003mm]  
D-27 1/4" [692mm]
- \* Bathwell Capacity (At Overflow): 55 gal. [208L]
- \* Water Level (At Overflow): 12 3/4" [324mm]
- \* Available without an overflow model becomes (RE2054M:4 or RE2054M:8)
- \* Pump positions labeled 2, 3 & 4 are alternate pump locations that are available. (In positions 3 & 4, the pump will stick out from the rough-in dimensions by 1/2" on 4 jet systems and 3 1/2" on 8 jet systems.)
- \* All dimensions +/- 1/2" [12.8mm]
- \* Clarion Bathware reserves the right to change design and/or dimensions.
- \* Dimensions are the same for RE, MP, and all other versions of this model.

**RE2054:4 or RE2054:8**

**54" (1372mm) Tub/Shower w/ Molded Shelves & 4 or 8 Jet Whirlpool Package**

**Clarion**  
BATHWARE  
44 Amsler Ave.  
Shippensburg, PA 16254

Phone: (814) 226-5374  
Toll Free: (800) 576-9228  
Fax: (814) 226-0730  
www.clarionbathware.com

Signatures For Approval:

Customer: \_\_\_\_\_ Date: \_\_\_\_\_  
Arch./Engr: \_\_\_\_\_

Dwg. #  
RE2054-  
4&8 JETCUT

Quote #: \_\_\_\_\_  
Job Name: \_\_\_\_\_

Dwg. By: NMH  
DATE: 4/4/2017

**\*\*\* IMPORTANT NOTICE \*\*\***

Clarion Bathware reserves the right to change the design and/or dimensions of its products at any time. This drawing may have been updated since this publication was issued. Before placing an order for any product, refer to our website at [www.clarionbathware.com](http://www.clarionbathware.com) to obtain the most current drawings for any products that you wish to purchase. Compare the date of revision of the drawing that you have with the one on the drawing on our website. If you do not have internet access, please call your sales representative or Clarion Bathware's sales department at 1-800-576-9228.