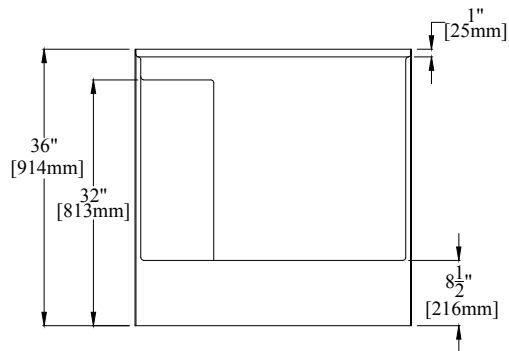
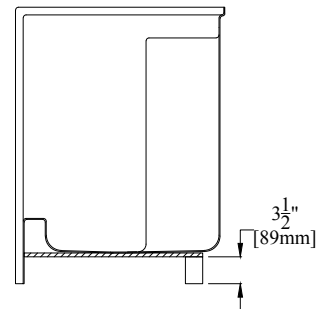


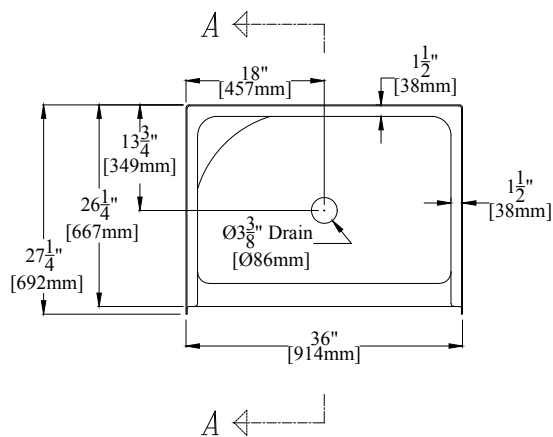
Clarion Bathware



ELEVATION



SECTION "A-A"



PLAN

36" [914mm] Utility / Pet Shower

PRODUCT SPECIFICATIONS:

- * Reinforced & slip resistant floor.
- * Integral 1" [25mm] nailing flange.
- * Molded ledge.
- * All dimensions +/- 1/2" [12.8mm]
- * Clarion Bathware reserves the right to change design and/or dimensions.
- * Dimensions are the same for RE, RS, MP, CU and all other versions of this model.

Model Petshower

36" [914mm] Utility / Petshower

Clarion
BATHWARE
44 Amsler Ave.
Shippenville, PA 16254

Phone: (814) 226-5374
Toll Free: (800) 576-9228
Fax: (814) 226-0730
www.clarionbathware.com

Signatures For Approval:

Customer: _____
Arch./Engr: _____
Contractor: _____
Cla. Engr: _____

Date:

Dwg. Name:
Petshower-CUT

Dwg. By: NMH
DATE: 4/24/2017