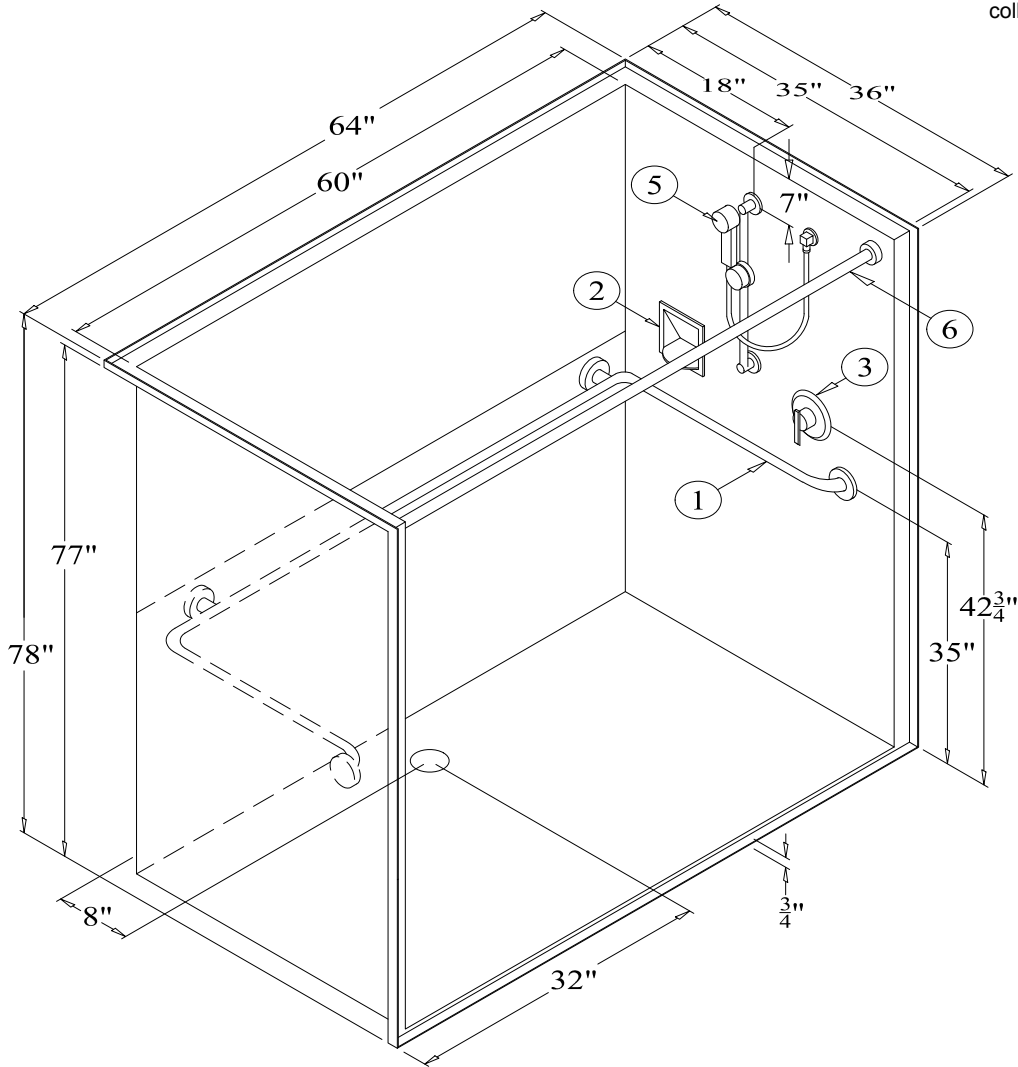


**NOT CODE COMPLIANT WITH U-SHAPED GRAB BAR

*We recommend all units with a 3/4" threshold use the available collapsible threshold.



MP6436UBF34

64" [1626mm] Barrier-Free Shower w/ 3/4" [19mm] Threshold & Rear Center Drain

RECOMMENDED ACCESSORIES

- | | |
|-----------------------------|---|
| 1. #28 x 60 x 28 U-GRAB BAR | 5. #HHS-30CE HAND HELD SHWR |
| 2. #660 SOAP DISH | 6. #CR-59 1/4 CURTAIN ROD |
| 3. #CH-SSMV-1 MIXING VALVE | 7. CURTAIN (Not Shown) |
| 4. BRASS DRAIN (Not Shown) | 8. Collapsible Threshold Kit 2.5a (Not Shown) |

*** IMPORTANT NOTICE ***

Clarion Bathware reserves the right to change the design and/or dimensions of its products at any time. This drawing may have been updated since this publication was issued. Before placing an order for any product, refer to our website at www.clarionbathware.com to obtain the most current drawings for any products that you wish to purchase. Compare the date of revision of the drawing that you have with the one on the drawing on our website. If you do not have internet access, please call your sales representative or Clarion Bathware's sales department at 1-800-576-9228.