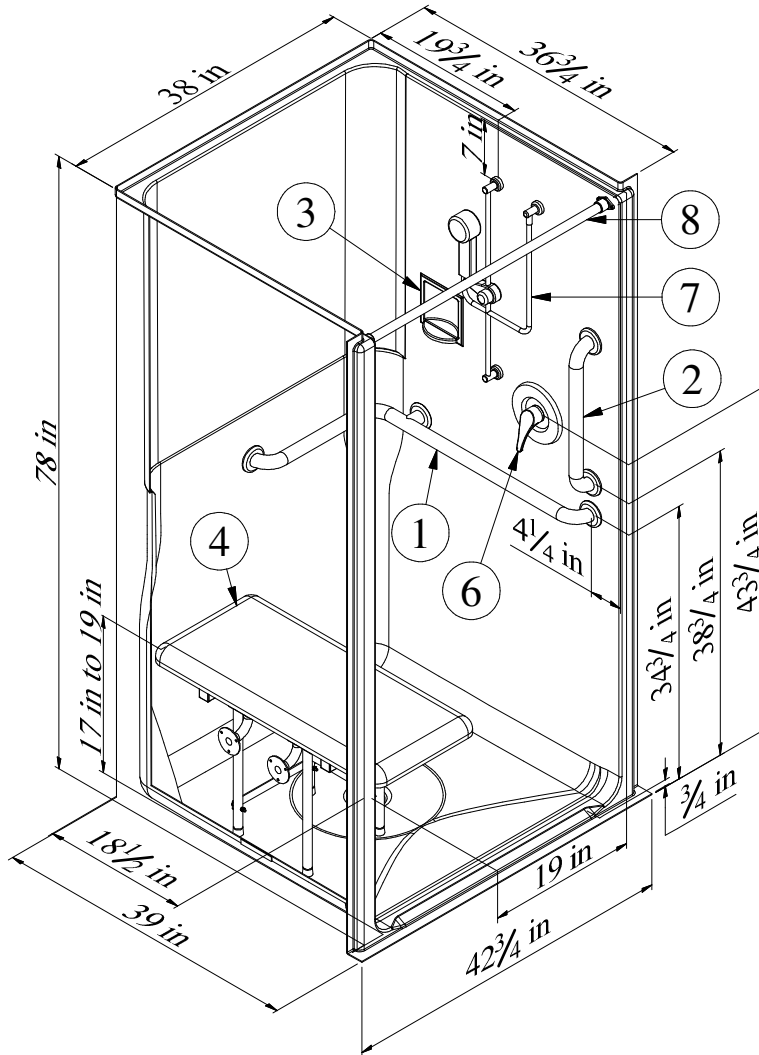


Right Hand Version (MP4238RBF34) Shown  
 Accessorized to meet the ICC A117.1-2017 Standard (ADA Standard)

\*We recommend all units with a 3/4" threshold use the available collapsible threshold.



## MP4238LBF34 or MP4238RBF34

38" (overall width 42-3/4") Barrier-Free Shower w/ 3/4" [19mm] Threshold, Double Return Flange, & Center Drain

### RECOMMENDED ACCESSORIES

- |                                |  |
|--------------------------------|--|
| 1. #503218 GRAB BAR            | 6. #CH-SSMV-1 MIXING VALVE                     |
| 2. #5018 GRAB BAR              | 7. #HHS-30CE HAND HELD SHWR                    |
| 3. #660 SOAP DISH              | 8. #CR-35 1/2 CURTAIN ROD                      |
| 4. #400-31.5"-SDL FOLDING SEAT | 9. CURTAIN (Not Shown)                         |
| 5. BRASS DRAIN (Not Shown)     | 10. Collapsible Threshold Kit 2.5a (Not Shown) |

**Clarion**  
 BATHWARE  
 44 Amsler Ave.  
 Shipperville, PA 16254

Phone: (814) 226-5374  
 Toll Free: (800) 576-9228  
 Fax: (814) 226-0730  
 www.clarionbathware.com

Signatures For Approval:

Customer: \_\_\_\_\_  
 Arch./Engr: \_\_\_\_\_

Date: \_\_\_\_\_

Quote #: \_\_\_\_\_  
 Job Name: \_\_\_\_\_

DWG. #

MP4238LBF34 or  
 RBF34 -ISO

By: NMH

Date: 2/16/2018

\*\*\*IMPOTANT NOTICE\*\*\*

Clarion bathware reserves the right to change the design and/or dimensions of its products at any time. This drawing may have been updated since this publication was issued. Before placing an order for any product, refer to our website at www.clarionbathware.com to obtain the most current drawings for any products that you wish to purchase. Compare the date of revision of the drawing that you have with the one on the drawing on our website. If you do not have internet access, please call your sales representative or Clarion Bathware's sales department at 1-800-576-9228.