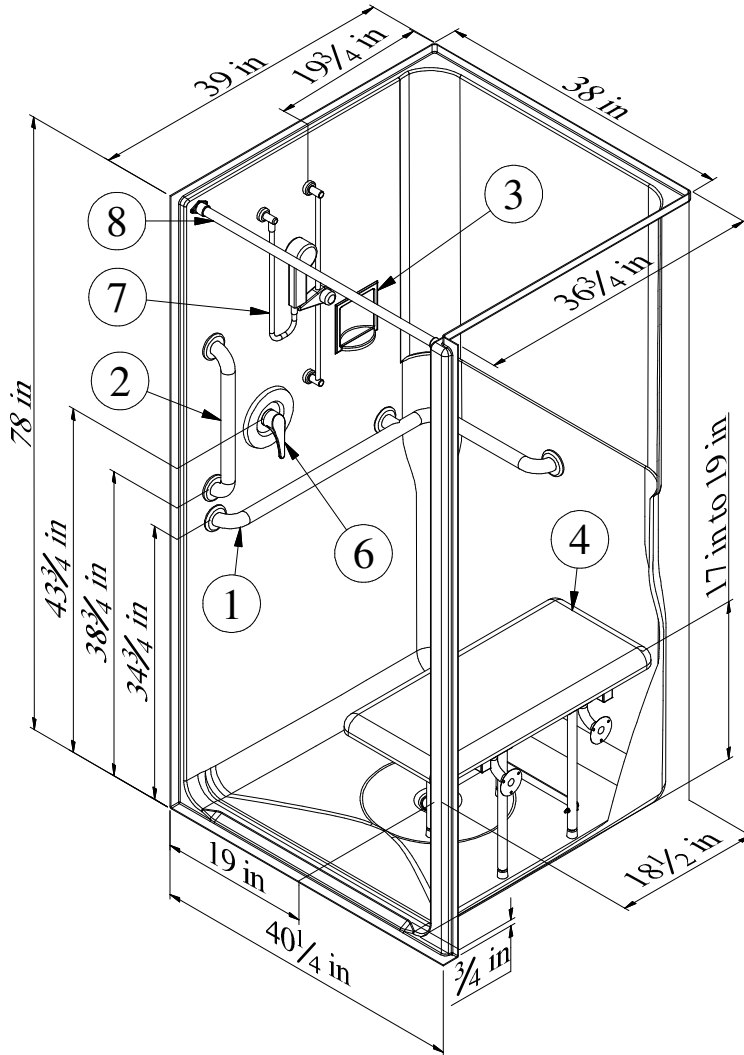


Right Hand Return w/ Left Hand Valve Wall (MP4038LBF34) Shown
 Accessorized to meet the ICC A117.1-2017 Standard (ADA Standard)

*We recommend all units with a 3/4" threshold use the available collapsible threshold.



MP4038LBF34 or MP4039RBF34

38" (overall width 40-1/4") Barrier-Free Shower w/ 3/4" [19mm] Threshold, Left or Right Hand Return Flange, & Center Drain
 The seat must be located on the same side of the unit as the return flange to meet ADA-compliance.

RECOMMENDED ACCESSORIES

- | | |
|--------------------------------|--|
| 1. #503218TS GRAB BAR | 6. #CH-SSMV-1 MIXING VALVE |
| 2. #5018 GRAB BAR | 7. #HHS-30CE HAND HELD SHWR |
| 3. #660 SOAP DISH | 8. #CR-36 CURTAIN ROD |
| 4. #400-31.5"-SDL FOLDING SEAT | 9. CURTAIN (Not Shown) |
| 5. BRASS DRAIN (Not Shown) | 10. Collapsible Threshold Kit 2.5a (Not Shown) |

Clarion
BATHWARE
44 Amsler Ave.
Shipperville, PA 16254

Phone: (814) 226-5374
 Toll Free: (800) 576-9228
 Fax: (814) 226-0730
 www.clarionbathware.com

Signatures For Approval:

Customer: _____
 Arch./Engr: _____

Date: _____

Quote #: _____
 Job Name: _____

DWG. #

MP4038LBF34 or
 MP4039RBF34 -ISO

By: NMH

Date: 2/16/2018

IMPOTANT NOTICE

Clarion bathware reserves the right to change the design and/or dimensions of its products at any time. This drawing may have been updated since this publication was issued. Before placing an order for any product, refer to our website at www.clarionbathware.com to obtain the most current drawings for any products that you wish to purchase. Compare the date of revision of the drawing that you have with the one on the drawing on our website. If you do not have internet access, please call your sales representative or Clarion Bathware's sales department at 1-800-576-9228.