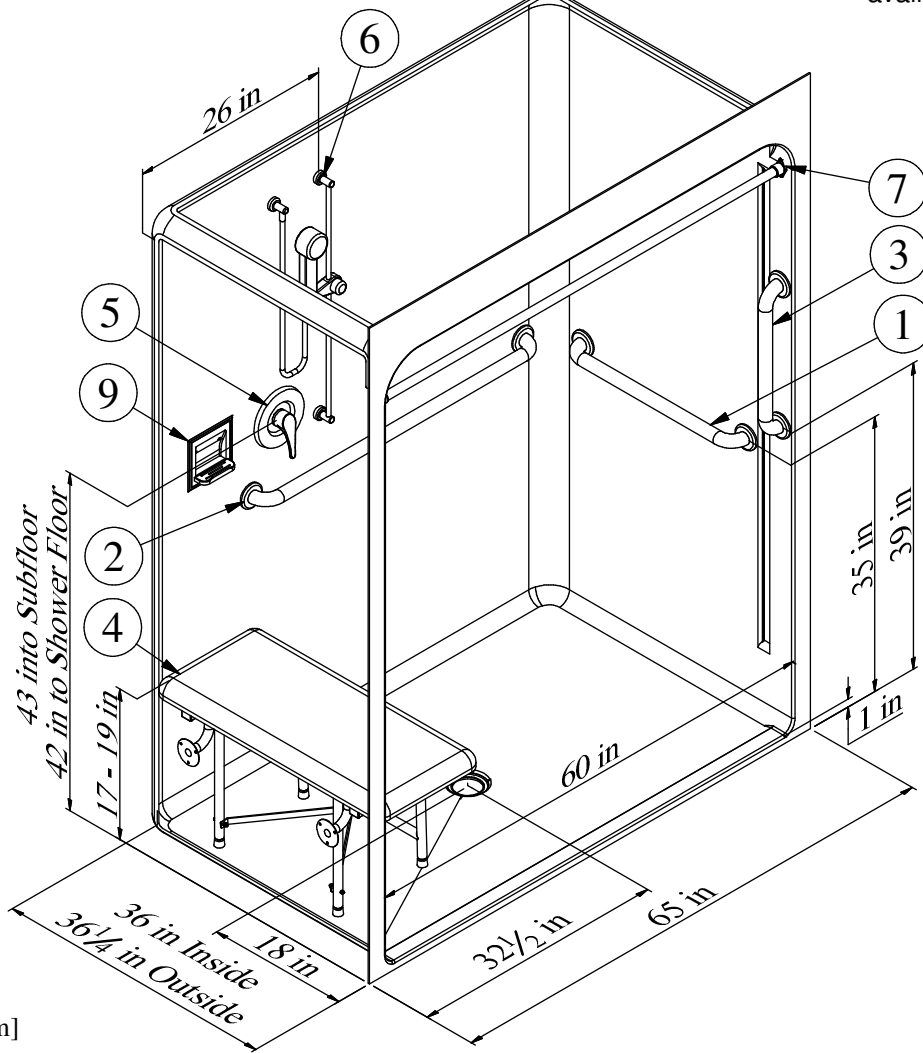


Right Hand Version (AN6036RBFSC) Shown
 Accessorized to meet the ICC A117.1-2017 Standard (ADA Compliant)

*We recommend all units with a 1" threshold use the available collapsible threshold.



Framing Pocket:
 W-65 1/8" [1654mm]
 D-37" [940mm]

AN6036LBFSC or AN6036RBFSC

60" (65" Overall) Barrier-Free Acrylic Shower & Center Drain

RECOMMENDED ACCESSORIES

- | | |
|----------------------------------|--|
| 1. #5024 Grab Bar | 7. #CR-59 1/4 CURTAIN ROD |
| 2. #5040 Grab Bar | 8. CURTAIN (Not Shown) |
| 3. #5018 Grab Bar | 9. #660 SOAP DISH |
| 4. #400-31 1/2"-SDL FOLDING SEAT | 9. BRASS DRAIN (Not Shown) |
| 5. #CH-SSMV-1 MIXING VALVE | 10. Collapsible Threshold Kit 2.5a (Not Shown) |
| 6. #HHS-30CE HAND HELD SHWR | |

Clarion
 BATHWARE
 44 Amsler Ave.
 Shippensburg, PA 16254

Phone: (814) 226-5374
 Toll Free: (800) 576-9228
 Fax: (814) 226-0730
 www.clarionbathware.com

Signatures For Approval:

Customer: _____
 Arch./Engr: _____

Date: _____

Quote #: _____
 Job Name: _____

DWG. #
 AN6036LBFSC or
 RBFSC-ISO

By: NMH
 Date: 4/30/2019

IMPOTANT NOTICE

Clarion bathware reserves the right to change the design and/or dimensions of its products at any time. This drawing may have been updated since this publication was issued. Before placing an order for any product, refer to our website at www.clarionbathware.com to obtain the most current drawings for any products that you wish to purchase. Compare the date of revision of the drawing that you have with the one on the drawing on our website. If you do not have internet access, please call your sales representative or Clarion Bathware's sales department at 1-800-576-9228.