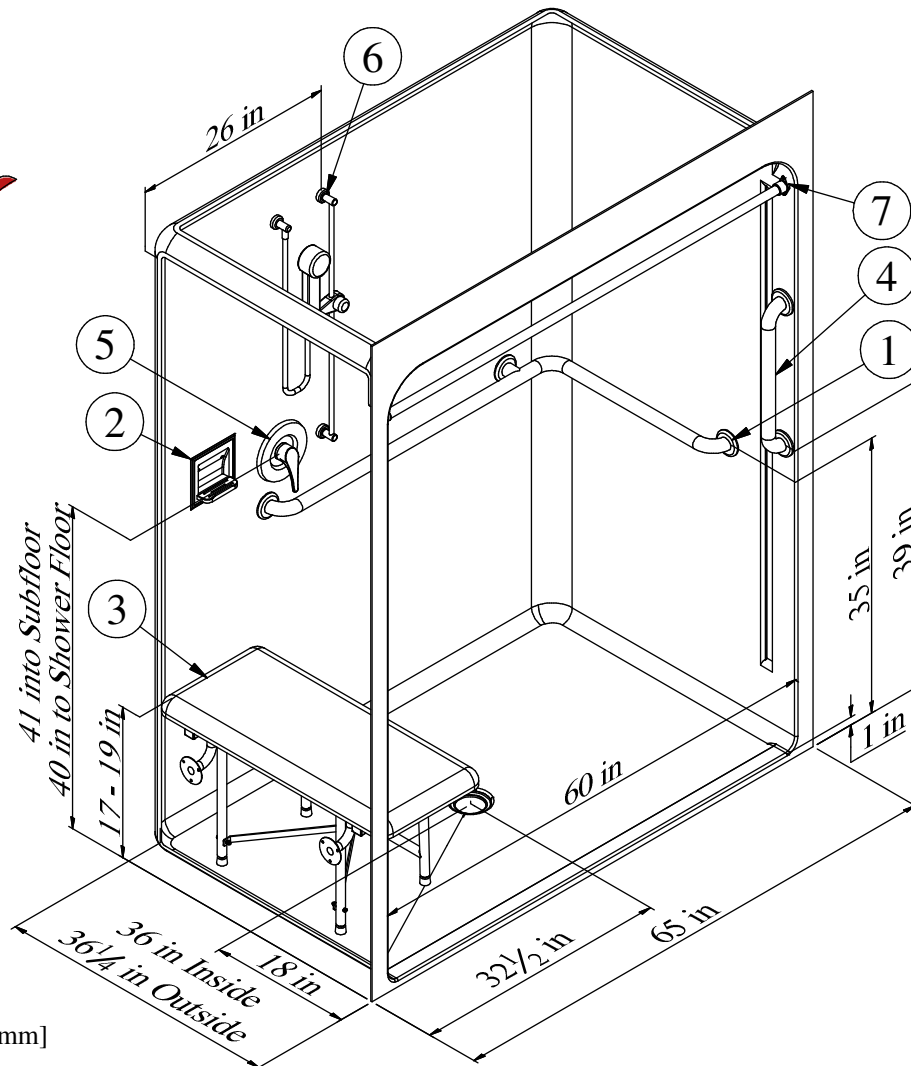


Right Hand Version (AN6036RBFSC) Shown  
 Accessorized to meet the ICC A117.1-2017 Standard (ADA Compliant)  
 & the California amendments in the California Building Code 2016

\*We recommend all units with a 1" threshold use the available collapsible threshold.



Framing Pocket:  
 W-65 1/8" [1654mm]  
 D-37" [940mm]

## AN6036LBFSC or AN6036RBFSC

60" (65" Overall) Barrier-Free Acrylic Shower & Center Drain

### RECOMMENDED ACCESSORIES

- |                                  |   |
|----------------------------------|---|
| 1. #504426TS Grab Bar            | 6. #HHS-30CE HAND HELD SHWR                   |
| 2. #660 SOAP DISH                | 7. #CR-59 1/4 CURTAIN ROD                     |
| 3. #400-31 1/2"-SDL FOLDING SEAT | 8. CURTAIN (Not Shown)                        |
| 4. #5018 Grab Bar                | 9. Collapsible Threshold Kit 2.5a (Not Shown) |
| 5. #CH-SSMV-1 MIXING VALVE       |   |

**Clarion**  
 BATHWARE  
 44 Amsler Ave.  
 Shippensville, PA 16254

Phone: (814) 226-5374  
 Toll Free: (800) 576-9228  
 Fax: (814) 226-0730  
 www.clarionbathware.com

Signatures For Approval:

Customer: \_\_\_\_\_  
 Arch./Engr: \_\_\_\_\_

Quote #: \_\_\_\_\_  
 Job Name: \_\_\_\_\_

Date: \_\_\_\_\_

DWG. #  
 AN6036LBFSC or  
 RBFSC-CAISO

By: NMH  
 Date: 3/14/2019