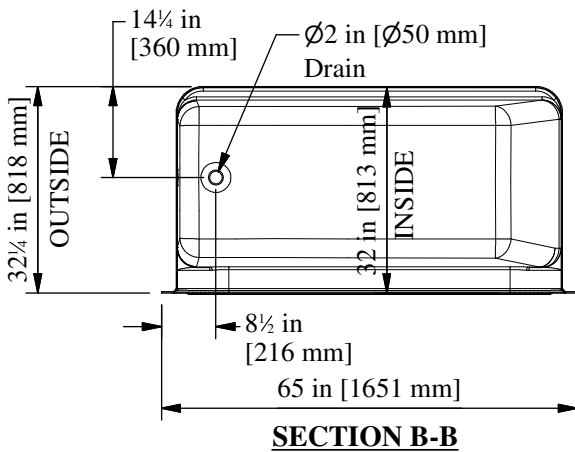
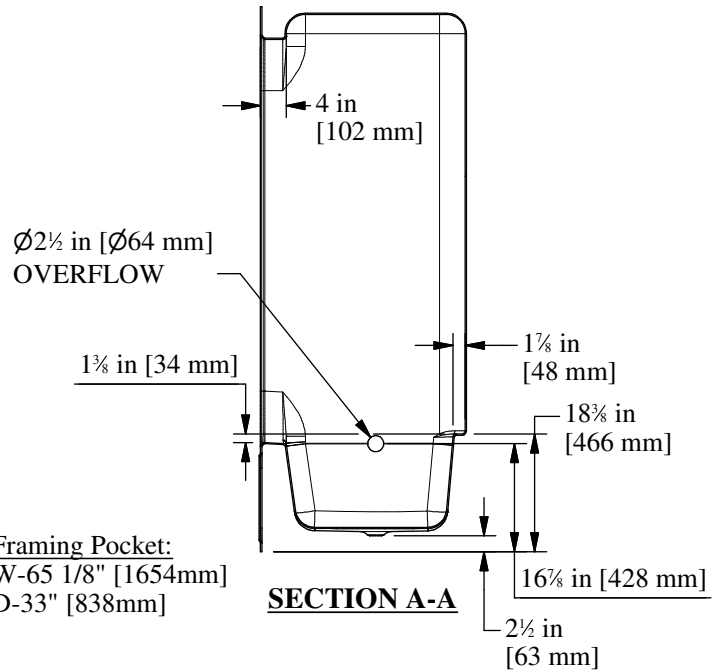
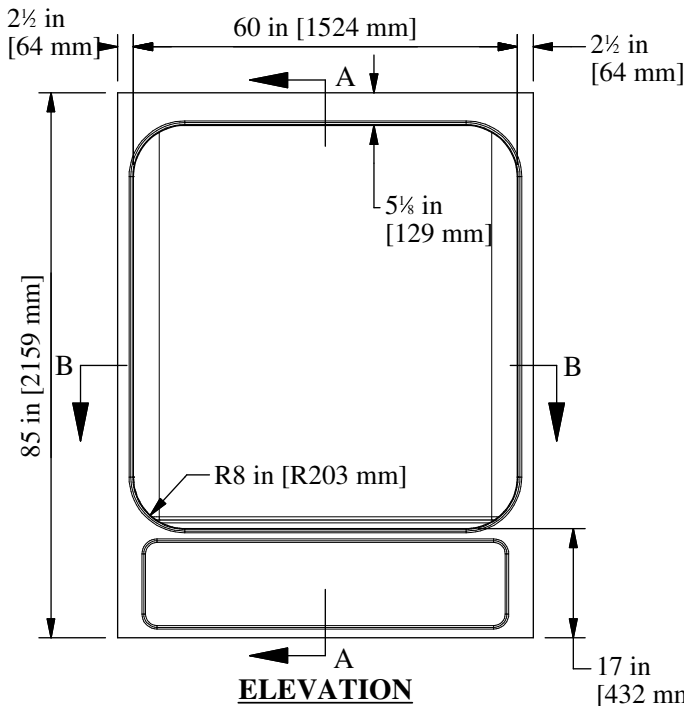


# Clarion

BATHWARE



**60" (overall width 65") Acrylic Tub/Shower  
 Left Hand Version (AN6032ITSL) Shown**

**PRODUCT SPECIFICATIONS:**

- Product material - Premium Cast Acrylic with fiberglass composite reinforcement.
- Product complies with NAHB, HUD UM-73A, and CSA B45.5-17/ IAPMO Z124-2017.
- This unit can be reinforced to meet the accessibility requirements for Type B dwellings upon request.
- Unit cannot accept a door.
- When properly accessorized and installed, product meets requirements of ADA (2010 Std), ICC/ANSI A117.1-2017, ABA or UFAS.
- Product has a Class B fire rating as determined by ASTM E-84 test method.
- Reinforced & slip resistant floor.
- Integral 1" [25mm] nailing flange.
- Factory drilled 2 1/2" [64mm] overflow.
- Bathwell Dimensions (At Top): W-59 3/4" [1518mm] x D-26" [660mm] x H-13 1/2" [343mm]
- Bathwell Dimensions (At Bottom): W-52" [1321mm] x D-23 1/2" [597mm]
- Bathwell Capacity (At Overflow): 52 Gal [197L]
- Water Level (At Overflow): 13" [330mm]
- All dimensions +/- 1/2" [12.8mm]
- Clarion Bathware reserves the right to change design and/or dimensions.

## AN6032ITSL or AN6032ITSR

60" (overall width 65") Acrylic Tub/Shower w/ Left or Right Hand Drain

**Clarion**  
 BATHWARE  
 44 Amsler Ave.  
 Shippensburg, PA 16254

Phone: (814) 226-5374  
 Toll Free: (800) 576-9228  
 Fax: (814) 226-0730  
 www.clarionbathware.com

Mold Fabrication will not begin until approved drawing is received.  
 Standard mold production is ( \_\_\_\_\_ weeks) unless quoted otherwise.

Signatures For Approval: \_\_\_\_\_ Date: \_\_\_\_\_  
 Customer: \_\_\_\_\_  
 Clarion Engineer: \_\_\_\_\_  
 Clarion SVP of Sales: \_\_\_\_\_

DWG. #  
 AN6032ITSL or  
 R-CUT  
 Dwg. By: NMH  
 Date: 11/8/2018