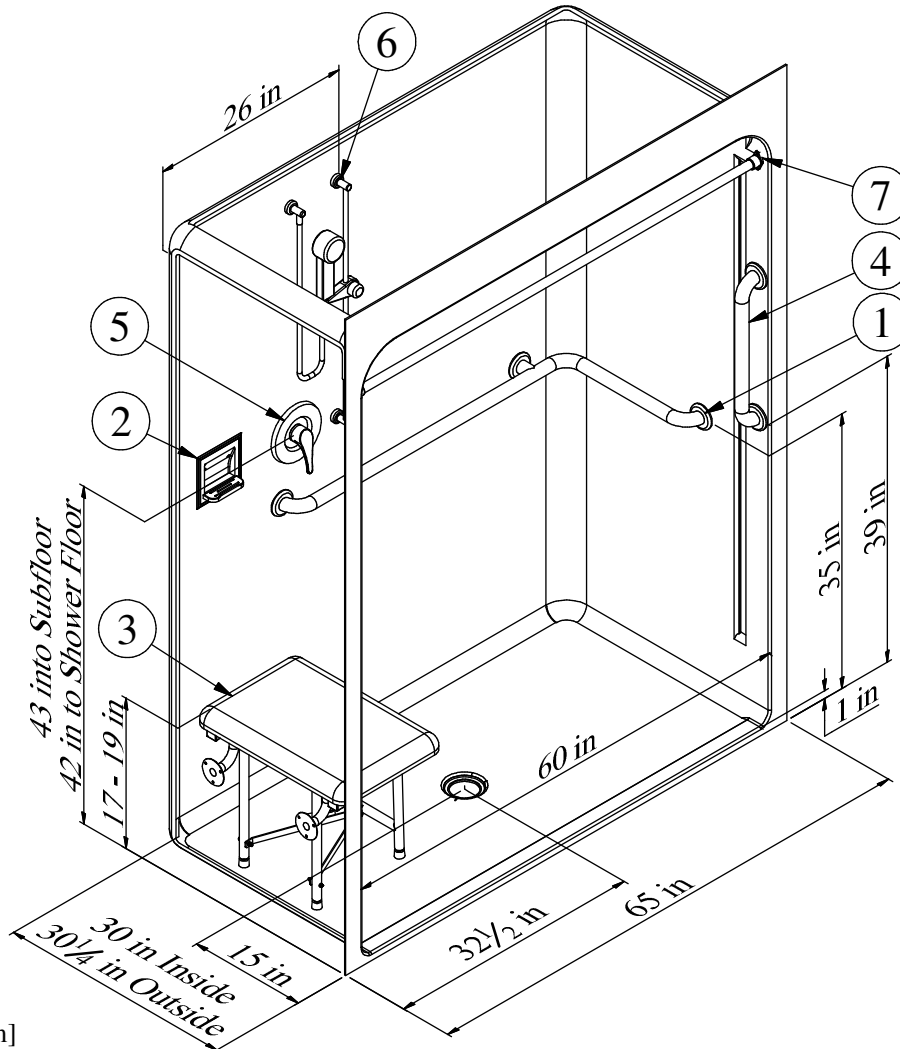


Right Hand Version (AN6030RBFSC) Shown
 Accessorized to meet the ICC A117.1-2017 Standard (ADA Compliant)

*We recommend all units with a 1" threshold use the available collapsible threshold.



Framing Pocket:
 W-65 1/8" [1654mm]
 D-31" [787mm]

AN6030LBFSC or AN6030RBFSC

60" (65" Overall) Barrier-Free Acrylic Shower & Center Drain

RECOMMENDED ACCESSORIES

- | | |
|--------------------------------|---|
| 1. #504426TS Grab Bar | 6. #HHS-30CE HAND HELD SHWR |
| 2. #660 SOAP DISH | 7. #CR-59 1/4 CURTAIN ROD |
| 3. #400-26.5"-SDL FOLDING SEAT | 8. CURTAIN (Not Shown) |
| 4. #5018 Grab Bar | 9. Collapsible Threshold Kit 2.5a (Not Shown) |
| 5. #CH-SSMV-1 MIXING VALVE | 10. BRASS DRAIN (Not Shown) |

Clarion
 BATHWARE
 44 Amsler Ave.
 Shippensburg, PA 16254

Phone: (814) 226-5374
 Toll Free: (800) 576-9228
 Fax: (814) 226-0730
 www.clarionbathware.com

Signatures For Approval: _____ Date: _____
 Customer: _____
 Arch./Engr: _____
 Quote #: _____
 Job Name: _____

DWG. #
 AN6030LBFSC or
 RBFSC-ISO
 By: NMH
 Date: 3/14/2019