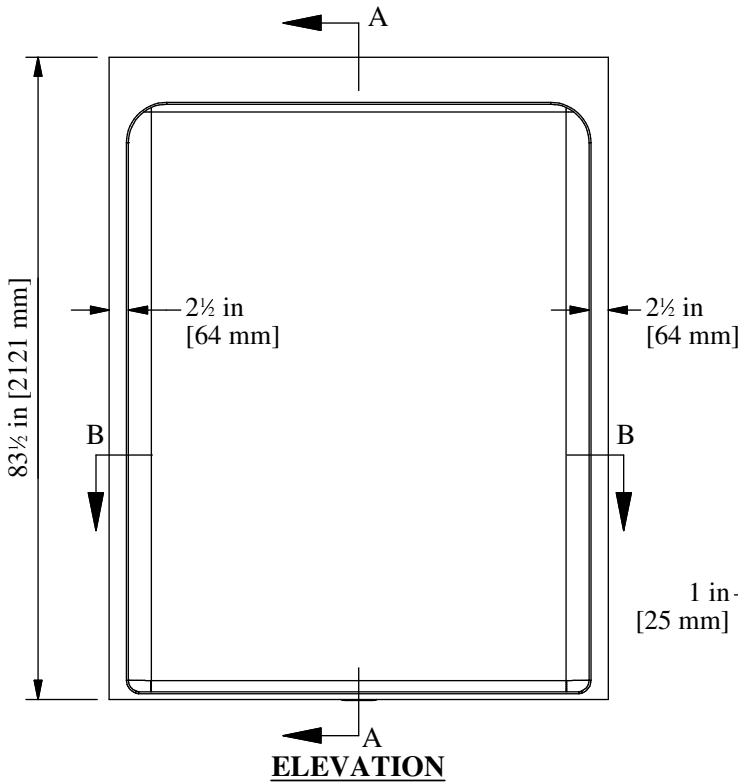
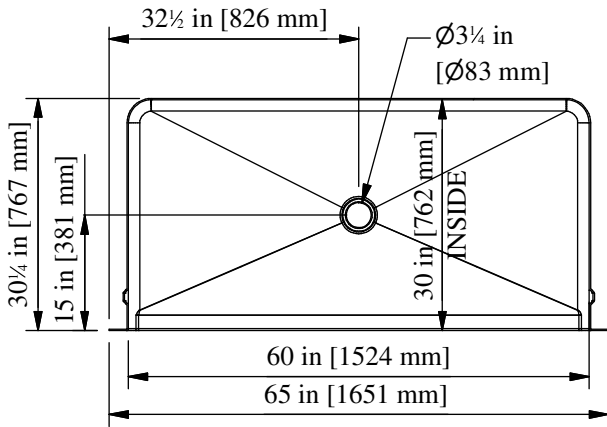
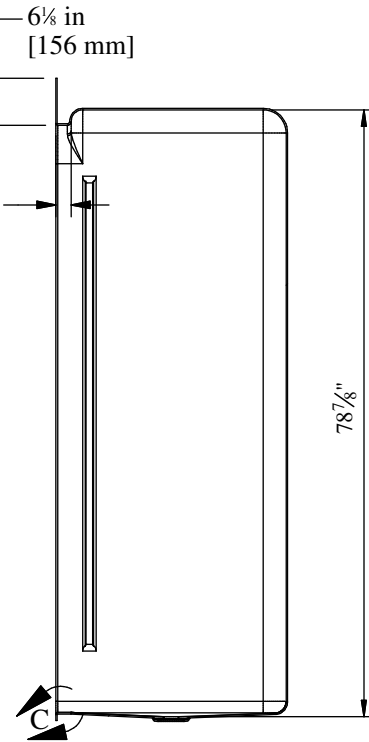
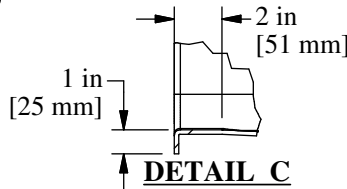


# Clarion

BATHWARE



**Framing Pocket:**  
W-65 1/8" [1654mm]  
D-31" [787mm]



**SECTION B-B**  
60" (65" Overall) Barrier-Free Acrylic Shower  
w/ 1" Threshold & Molded Dome

*CENTER DRAIN*

## AN6030BFSC

60" (65" Overall) Barrier-Free Acrylic Shower w/ 1"[25mm] Threshold, Molded Dome & Center Drain

### PRODUCT SPECIFICATIONS:

- Special installation instructions for this unit must be followed carefully.
- Product complies with NAHB, HUD UM-73A, and CSA B45.5-17/ IAPMO Z124-2017.
- This unit can be reinforced to meet the accessibility requirements for Type B dwellings upon request.
- When properly accessorized and installed, product will meet requirements of ADA (2010 Std), ICC/ANSI A117.1-2017, ABA or UFAS.
- Barrier-free design with 1"[25mm] threshold.
- Thermoformed from a continuous cast acrylic sheet to produce a 1-piece, seamless unit.
- Product complies with NAHB, HUD UM-73A, and ANSI-Z124.1.2.
- Reinforced & slip resistant floor.
- Unit cannot accept a door.
- Shower Floor: W-30" [762mm] x D-60" [1524mm]
- All dimensions +/- 1/2" [12.8mm]
- Clarion Bathware reserves the right to change design and/or dimensions

**Clarion**  
BATHWARE  
44 Amsler Ave.  
Shippensburg, PA 16254

Phone: (814) 226-5374  
Toll Free: (800) 576-9228  
Fax: (814) 226-0730  
www.clarionbathware.com

Mold Fabrication will not begin until approved drawing is received.  
Standard mold production is (\_\_\_\_\_) weeks unless quoted otherwise.

Signatures For Approval: \_\_\_\_\_ Date: \_\_\_\_\_  
Customer: \_\_\_\_\_  
Clarion Engineer: \_\_\_\_\_  
Clarion SVP of Sales: \_\_\_\_\_

DWG. #  
AN6030BFSC-CUT

Dwg. By: NMH  
Date: 11/7/2018