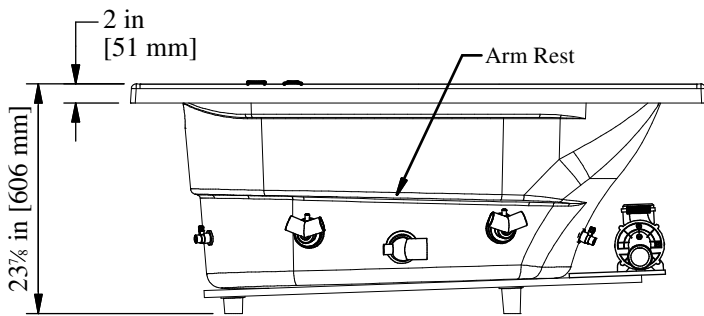
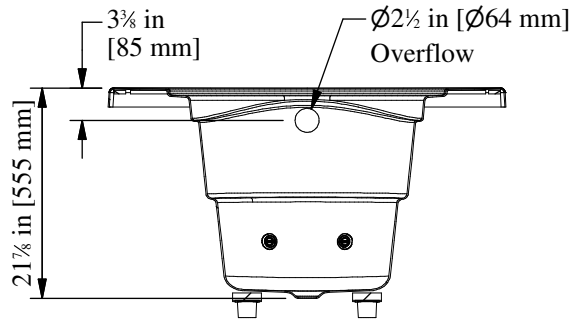


Clarion

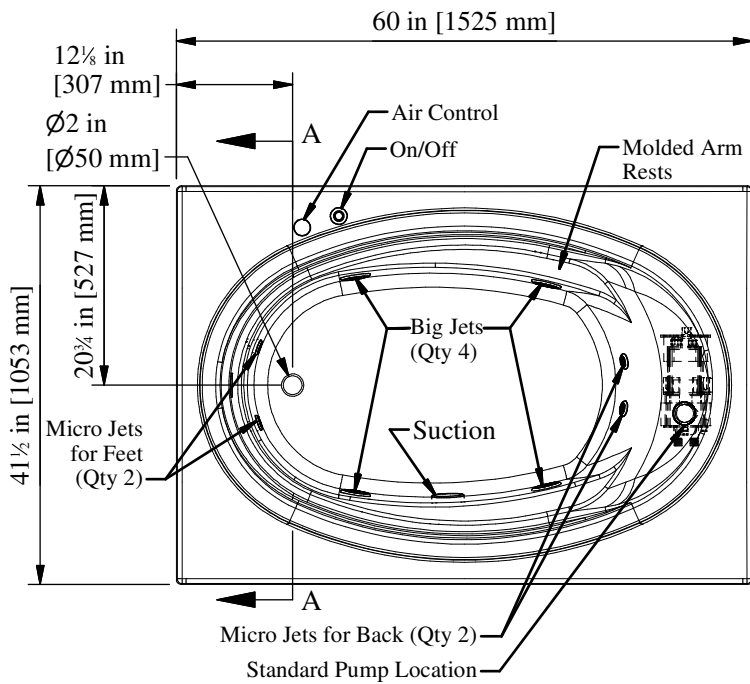
BATHWARE



ELEVATION



SECTION A-A



PLAN

**60" [1524mm] Acrylic Drop-In Bathtub
w/ Molded Arm Rests**

PRODUCT SPECIFICATIONS:

- Certified to meet CSA B45.5/IAPMO Z124 Standard.
- Clarion Bathware acrylic products are thermoformed from continuous cast acrylic sheet into a one piece seamless unit.
- When installing this whirlpool, an access area should be provided near the location of the whirlpool pump for future access. An access area is required by many local, state & federal building codes.
- Recommended access area dimensions:
W-20" [508mm] x H-15" [381mm]
- A tiling flange kit is available (Model TFK-1).
- Reinforced & slip resistant floor.
- Integral 2" [51mm] rolled edge for drop-in installation.
- Factory drilled 2 1/2" [64mm] overflow.
- Molded arm rests
- Bathwell Dimensions (At Top): W-49 3/4" [1264mm]
D-42" [610mm]
H-21" [533mm]
- Bathwell Dimensions (At Bottom): W-37 1/2" [953mm]
D-24" [610mm]
- Bathwell Capacity (At Overflow): 57 Gallons [215L]
- Water Level (At Overflow): 18" [457mm]
- All dimensions +/- 1/2" [12.8mm]
- Clarion Bathware reserves the right to change design and/or dimensions.

AD566062:8

60" [1524mm] Acrylic Drop-In Bathtub w/ Molded Arm Rests & 8 Jet Whirlpool Package

Clarion
BATHWARE
44 Amsler Ave.
Shippensburg, PA 16254

Phone: (814) 226-5374
Toll Free: (800) 576-9228
Fax: (814) 226-0730
www.clarionbathware.com

Mold Fabrication will not begin until approved drawing is received.
Standard mold production is (_____ weeks) unless quoted otherwise.

Signatures For Approval: _____ Date: _____
Customer: _____
Clarion Engineer: _____
Clarion SVP of Sales: _____

DWG. #
AD566062-CUT

Dwg. By: CAL
Date: 06/01/2021

Clarion bathware reserves the right to change the design and/or dimensions of its products at any time. This drawing may have been updated since this publication was issued. Before placing an order for any product, refer to our website at www.clarionbathware.com to obtain the most current drawings for any products that you wish to purchase. Compare the date of revision of the drawing that you have with the one on the drawing on our website. If you do not have internet access, please call your sales representative or Clarion Bathware's sales department at 1-800-576-9228.