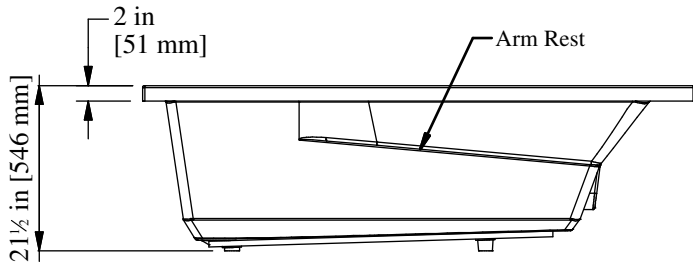
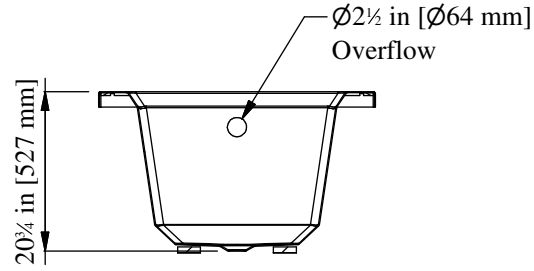


# Clarion

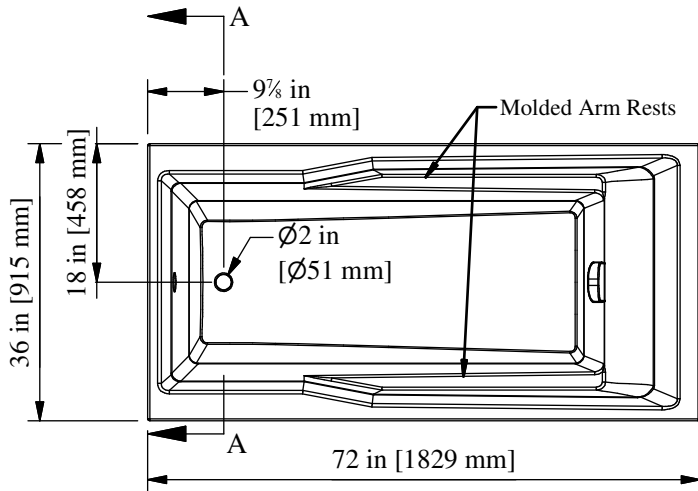
BATHWARE



**ELEVATION**



**SECTION A-A**



**PLAN**

**72" [1829mm] Acrylic Drop-In Bathtub  
w/ Molded Arm Rests**

**PRODUCT SPECIFICATIONS:**

- Certified to meet CSA B45.5/IAPMO Z124 Standard.
- Clarion Bathware acrylic products are thermoformed from continuous cast acrylic sheet into a one piece seamless unit.
- A tiling flange kit is available (Model TFK-1).
- Reinforced & slip resistant floor.
- Integral 2" [51mm] rolled edge for drop-in installation.
- Factory drilled 2 1/2" [64mm] overflow.
- Molded arm rests
- Bathwell Dimensions (At Top): W-65 1/2" [1664mm]  
D-27 1/4" [692mm]  
H-20" [508mm]
- Bathwell Dimensions (At Bottom): W-47" [1194mm]  
D-20" [508mm]
- Bathwell Capacity (At Overflow): 67 Gallons [253L]
- Water Level (At Overflow): 14" [355mm]
- All dimensions +/- 1/2" [12.8mm]
- Clarion Bathware reserves the right to change design and/or dimensions.

**AD457253**

72" [1829mm] Acrylic Drop-In Bathtub w/ Molded Arm Rests

**Clarion**  
BATHWARE  
44 Amsler Ave.  
Shippensburg, PA 16254

Phone: (814) 226-5374  
Toll Free: (800) 576-9228  
Fax: (814) 226-0730  
www.clarionbathware.com

Mold Fabrication will not begin until approved drawing is received.  
Standard mold production is (\_\_\_\_\_) weeks unless quoted otherwise.

Signatures For Approval: \_\_\_\_\_ Date: \_\_\_\_\_  
Customer: \_\_\_\_\_  
Clarion Engineer: \_\_\_\_\_  
Clarion SVP of Sales: \_\_\_\_\_

DWG. #  
AD457253-CUT

Dwg. By: CAL  
Date: 2/26/2021