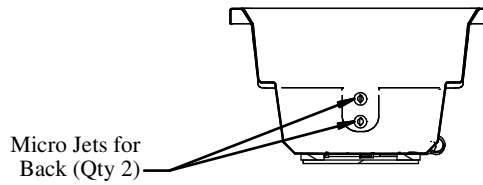
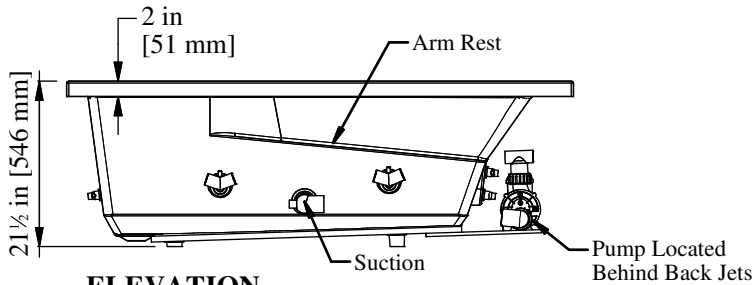


Clarion

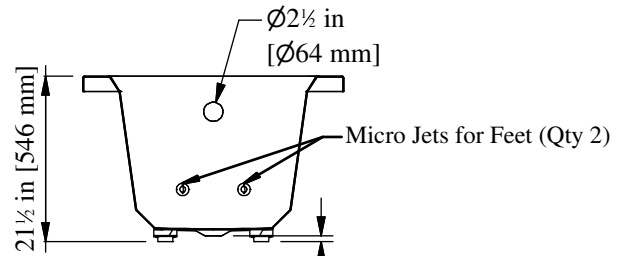
BATHWARE



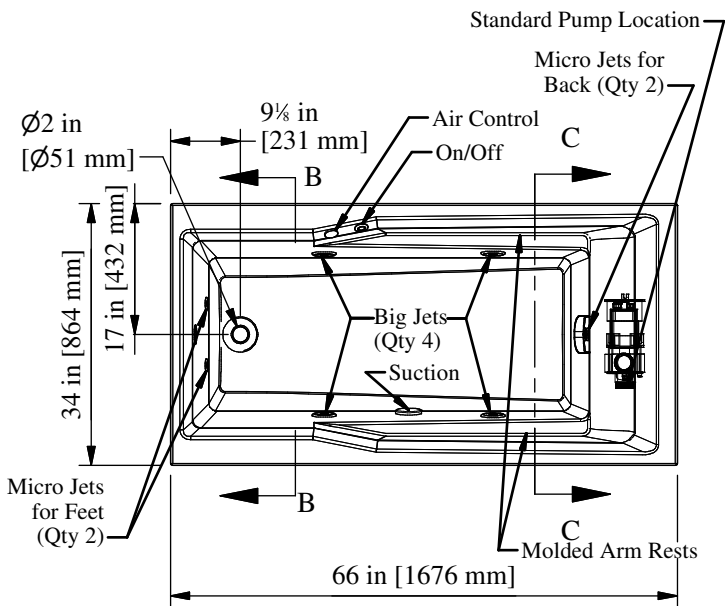
SECTION C-C



ELEVATION



SECTION B-B



PLAN

66" [1676mm] Acrylic Drop-In Bathtub w/ Molded Arm Rests

PRODUCT SPECIFICATIONS:

- Certified to meet CSA B45.5/IAPMO Z124 Standard.
- Clarion Bathware acrylic products are thermoformed from continuous cast acrylic sheet into a one piece seamless unit.
- When installing this whirlpool, an access area should be provided near the location of the whirlpool pump for future access. An access area is required by many local, state & federal building codes.
- Recommended access area dimensions:
W-20" [508mm] x H-15" [381mm]
- A tiling flange kit is available (Model TFK-1).
- Reinforced & slip resistant floor.
- Integral 2" [51mm] rolled edge for drop-in installation.
- Factory drilled 2 1/2" [64mm] overflow.
- Molded arm rests
- Bathwell Dimensions (At Top): W-52" [1320mm]
D-27" [686mm]
H-20 1/2" [521mm]
- Bathwell Dimensions (At Bottom): W-42" [1067mm]
D-20" [508mm]
- Bathwell Capacity (At Overflow): 51 Gallons [193L]
- Water Level (At Overflow): 14" [356mm]
- All dimensions +/- 1/2" [12.8mm]
- Clarion Bathware reserves the right to change design and/or dimensions.

AD436053:8

60" [1524mm] Acrylic Drop-In Bathtub w/ Molded Arm Rests & 8-Jet Whirlpool Package

Clarion
BATHWARE
44 Amsler Ave.
Shippensburg, PA 16254

Phone: (814) 226-5374
Toll Free: (800) 576-9228
Fax: (814) 226-0730
www.clarionbathware.com

Mold Fabrication will not begin until approved drawing is received.
Standard mold production is (_____) weeks unless quoted otherwise.

Signatures For Approval: _____ Date: _____
Customer: _____
Clarion Engineer: _____
Clarion SVP of Sales: _____

DWG. #
AD436053-8 JETCUT

Dwg. By: CAL
Date: 6/1/2021