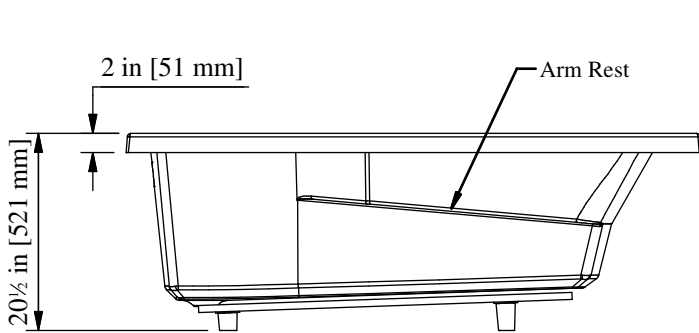
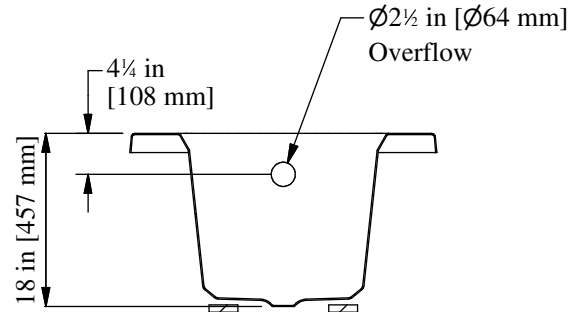


# Clarion

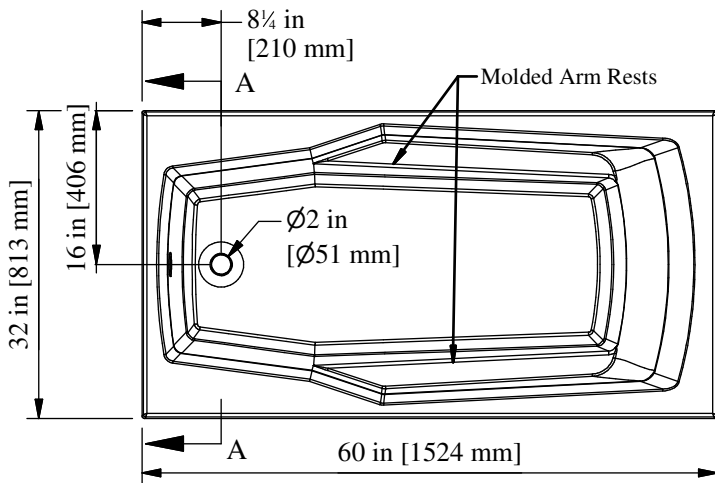
BATHWARE



**ELEVATION**



**SECTION A-A**



**PLAN**

**60" [1524mm] Acrylic Drop-In Bathtub  
w/ Molded Arm Rests**

**PRODUCT SPECIFICATIONS:**

- Certified to meet CSA B45.5/IAPMO Z124 Standard.
- Clarion Bathware acrylic products are thermoformed from continuous cast acrylic sheet into a one piece seamless unit.
- A tiling flange kit is available (Model TFK-1).
- Reinforced & slip resistant floor.
- Integral 2" [51mm] rolled edge for drop-in installation.
- Factory drilled 2 1/2" [64mm] overflow.
- Molded arm rests
- Bathwell Dimensions (At Top): W-52" [1320mm]  
D-26 3/4" [680mm]  
H-17" [431mm]
- Bathwell Dimensions (At Bottom): W-42 1/2" [1079mm]  
D-20" [508mm]
- Bathwell Capacity (At Overflow): 50 Gallons [189L]
- Water Level (At Overflow): 12 1/8" [308mm]
- All dimensions +/- 1/2" [12.8mm]
- Clarion Bathware reserves the right to change design and/or dimensions.

**AD376062**

**60" [1524mm] Acrylic Drop-In Bathtub w/ Molded Arm Rests**

**Clarion**  
BATHWARE  
44 Amsler Ave.  
Shipperville, PA 16254

Phone: (814) 226-5374  
Toll Free: (800) 576-9228  
Fax: (814) 226-0730  
www.clarionbathware.com

Mold Fabrication will not begin until approved drawing is received.  
Standard mold production is (\_\_\_\_\_) weeks unless quoted otherwise.

Signatures For Approval: \_\_\_\_\_ Date: \_\_\_\_\_  
Customer: \_\_\_\_\_  
Clarion Engineer: \_\_\_\_\_  
Clarion SVP of Sales: \_\_\_\_\_

DWG. #  
AD376062-CUT

Dwg. By: CAL  
Date: 5/26/2021

\*\*\*IMPOTANT NOTICE\*\*\*  
Clarion bathware reserves the right to change the design and/or dimensions of its products at any time. This drawing may have been updated since this publication was issued. Before placing an order for any product, refer to our website at www.clarionbathware.com to obtain the most current drawings for any products that you wish to purchase. Compare the date of revision of the drawing that you have with the one on the drawing on our website. If you do not have internet access, please call your sales representative or Clarion Bathware's sales department at 1-800-576-9228.