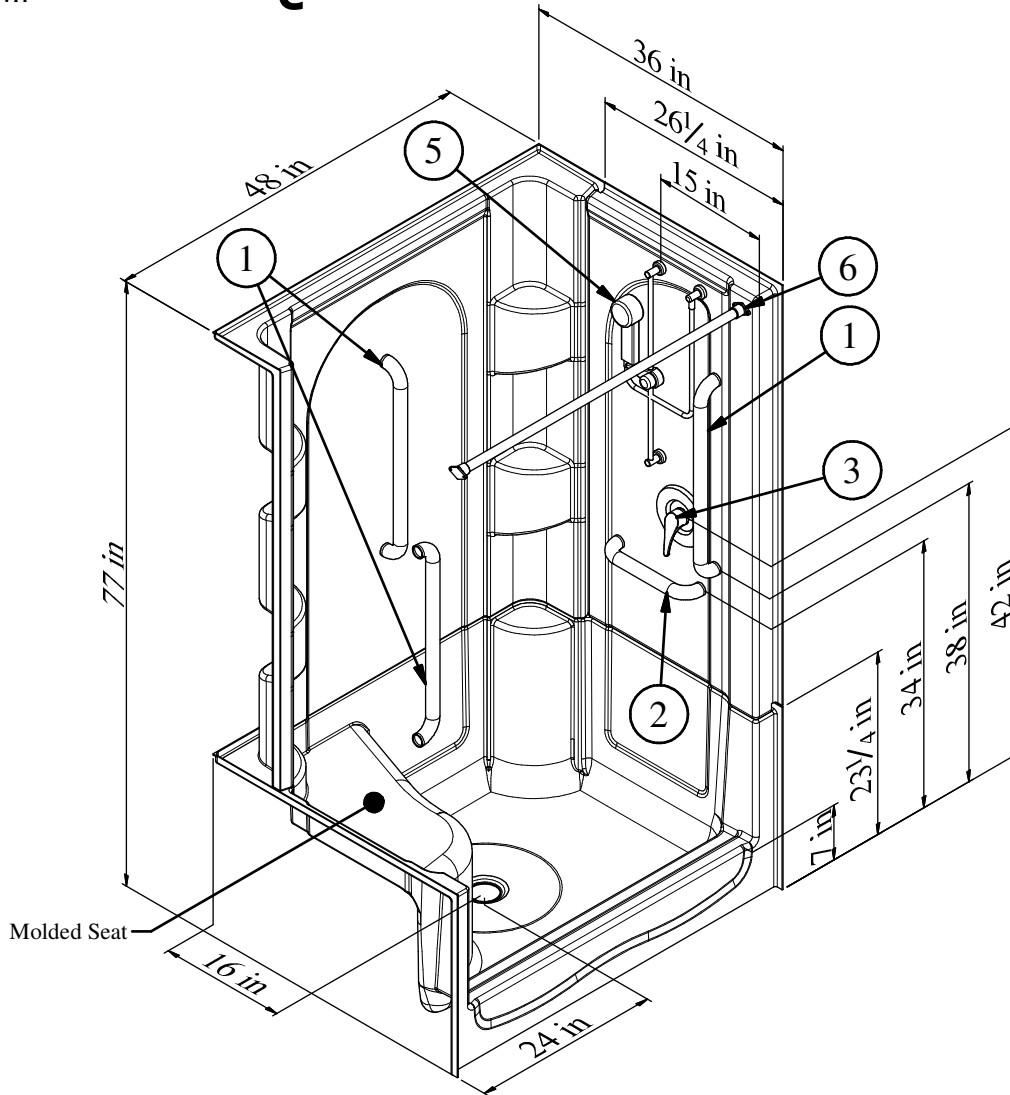


Right Hand Version  
(4MS30R/S) Shown

## Quantum Series



### 4MS30L/S or 4MS30R/S

48" [1219mm] 4-Piece Shower w/ 7" [178mm] Threshold Center Drain, Molded Seat, & Molded Shelving

#### RECOMMENDED ACCESSORIES

- 1. 24" WHITE GRAB BAR (Qty 3)
- 2. 12" WHITE GRAB BAR
- 3. #CH-SSMV-1 MIXING VALVE
- 4. BRASS DRAIN (Not Shown)

- 5. #HHS-30CE HAND HELD SHWR
- 6. #CR-42 CURTAIN ROD
- 7. PREMIUM SHOWER CURTAIN (Not Shown)

**Clarion**  
BATHWARE  
44 Amsler Ave.  
Shippensville, PA 16254

Phone: (814) 226-5374  
Toll Free: (800) 576-9228  
Fax: (814) 226-0730  
www.clarionbathware.com

Signatures For Approval:

Customer: \_\_\_\_\_  
Arch./Engr: \_\_\_\_\_

Date: \_\_\_\_\_

Quote #: \_\_\_\_\_  
Job Name: \_\_\_\_\_

DWG. #  
4MS30LS or RS -ISO

By: NMH  
Date: 1/11/2018