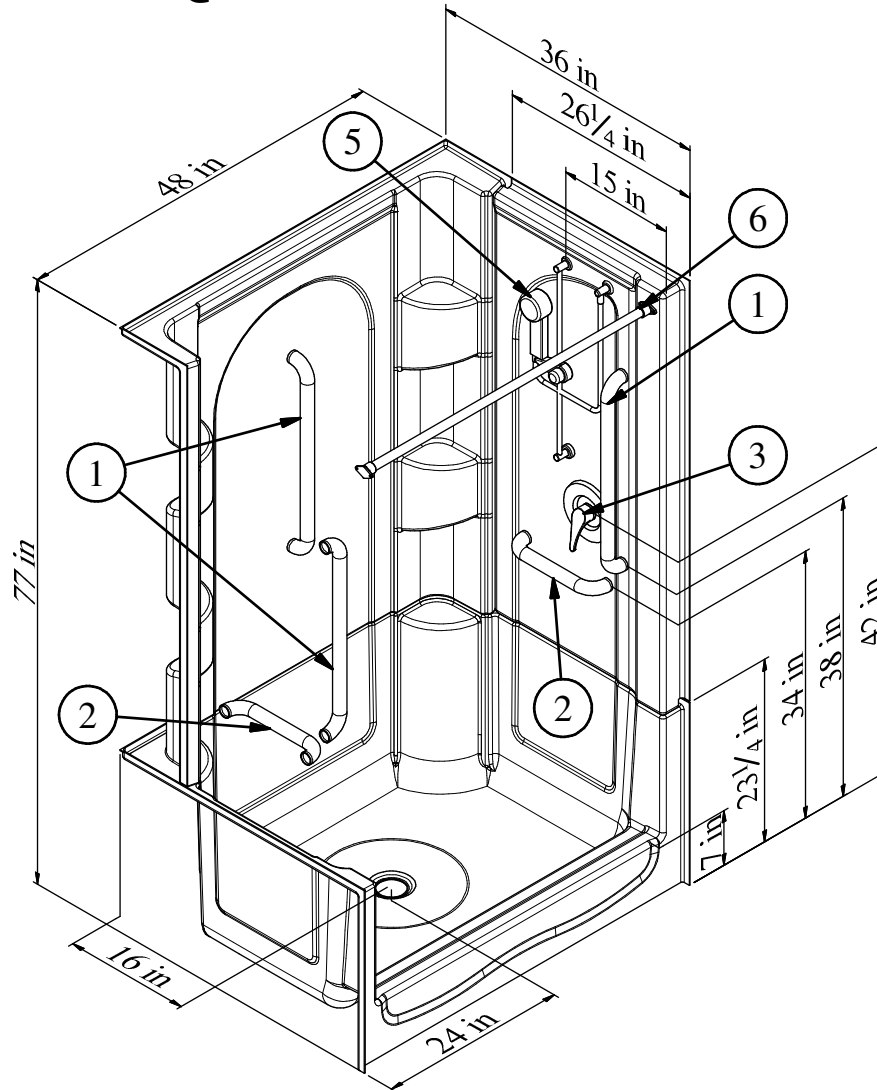


Right Hand Version
(4MS30RC) Shown

Quantum Series



4MS30LC or 4MS30RC

48" [1219mm] 4-Piece Shower w/ 7" [177mm] Threshold, Center Drain, & Molded Shelving

RECOMMENDED ACCESSORIES

- 1. 24" WHITE GRAB BAR (Qty 3)
- 2. 12" WHITE GRAB BAR (Qty 2)
- 3. #CH-SSMV-1 MIXING VALVE
- 4. BRASS DRAIN (Not Shown)

- 5. #HHS-30CE HAND HELD SHWR
- 6. #CR-42 CURTAIN ROD
- 7. PREMIUM SHOWER CURTAIN (Not Shown)

Clarion
BATHWARE
44 Amsler Ave.
Shippensburg, PA 16254

Phone: (814) 226-5374
Toll Free: (800) 576-9228
Fax: (814) 226-0730
www.clarionbathware.com

Signatures For Approval:

Customer: _____
Arch./Engr: _____

Date: _____

DWG. #

4MS30LC or RC
-ISO1

Quote #: _____
Job Name: _____

By: NMH

Date: 1/11/2018

IMPOTANT NOTICE

Clarion bathware reserves the right to change the design and/or dimensions of its products at any time. This drawing may have been updated since this publication was issued. Before placing an order for any product, refer to our website at www.clarionbathware.com to obtain the most current drawings for any products that you wish to purchase. Compare the date of revision of the drawing that you have with the one on the drawing on our website. If you do not have internet access, please call your sales representative or Clarion Bathware's sales department at 1-800-576-9228.