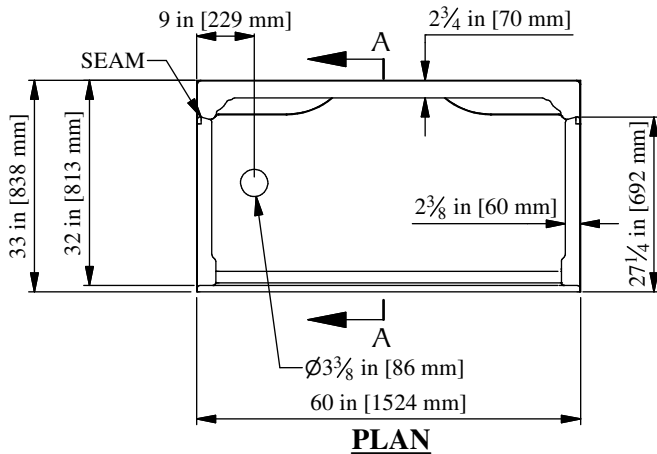
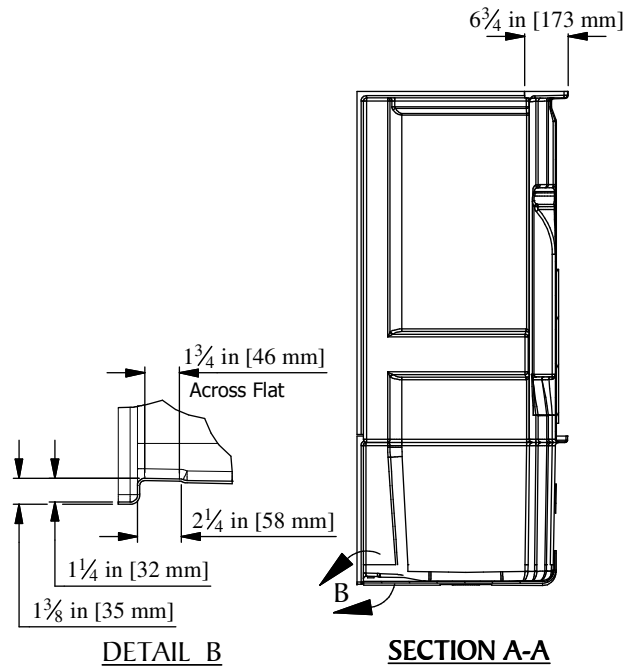
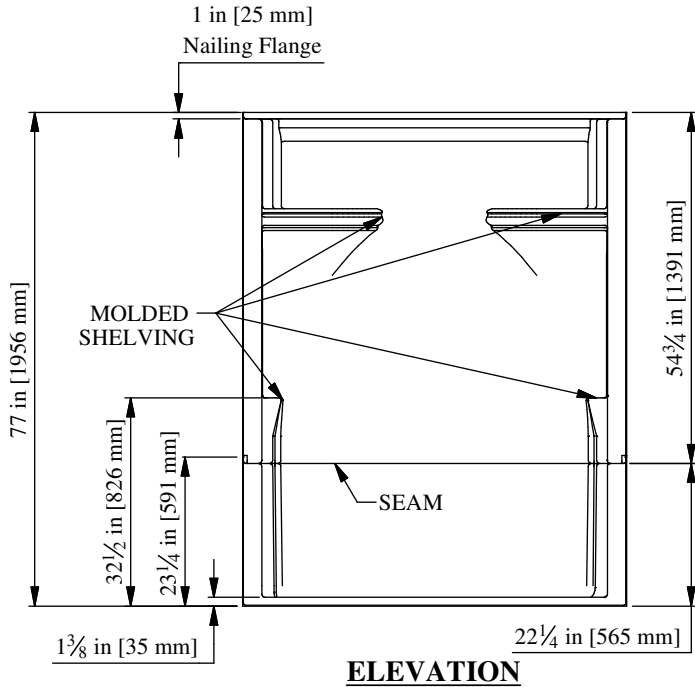


# Clarion

BATHWARE



**60" [1524mm] 4-Piece Shower**  
w/ 1 1/4" Threshold & Molded Shelving

Left Hand Version (4MS11LBF54) Shown

**PRODUCT SPECIFICATIONS:**

- \* Product complies with NAHB, HUD UM-73A, and ANSI-Z124.1.2.
- \* Product has a Class B fire rating as determined by ASTM E-84 test method.
- \* Special installation instructions for this unit must be followed carefully.
- \* Can accept a shower door, but custom fitting and special attention to ensure the threshold is flat will be required.
- \* Door Opening: W-54" [1372mm]  
H-74" [1880mm]
- \* Reinforced & slip resistant floor.
- \* Molded shelving on back wall.
- \* Integral 1" [25mm] nailing flange.
- \* Integral 1" [25mm] floor nailing flange.
- \* All dimensions +/- 1/2" [12.8mm]
- \* Clarion Bathware reserves the right to change design and/or dimensions.
- \* Dimensions are the same for all other versions of this model.  
Which include 4S11LBF54 or 4S11RBF54

## 4MS11LBF54 or 4MS11RBF54

60" [1524mm] 4-Piece Barrier-Free Shower w/ 1 1/4" Threshold, Left or Right Hand Drain, & Molded Shelving

**Clarion**  
BATHWARE  
44 Amsler Ave.  
Shippensburg, PA 16254

Phone: (814) 226-5374  
Toll Free: (800) 576-9228  
Fax: (814) 226-0730  
www.clarionbathware.com

Signatures For Approval:

Customer: \_\_\_\_\_  
Arch./Engr: \_\_\_\_\_

Date:

\_\_\_\_\_  
\_\_\_\_\_

4MS11LBF54 or  
RBF54-Cut

Quote #: \_\_\_\_\_  
Job Name: \_\_\_\_\_

Dwg. By: NMH  
Date: 11/14/2018