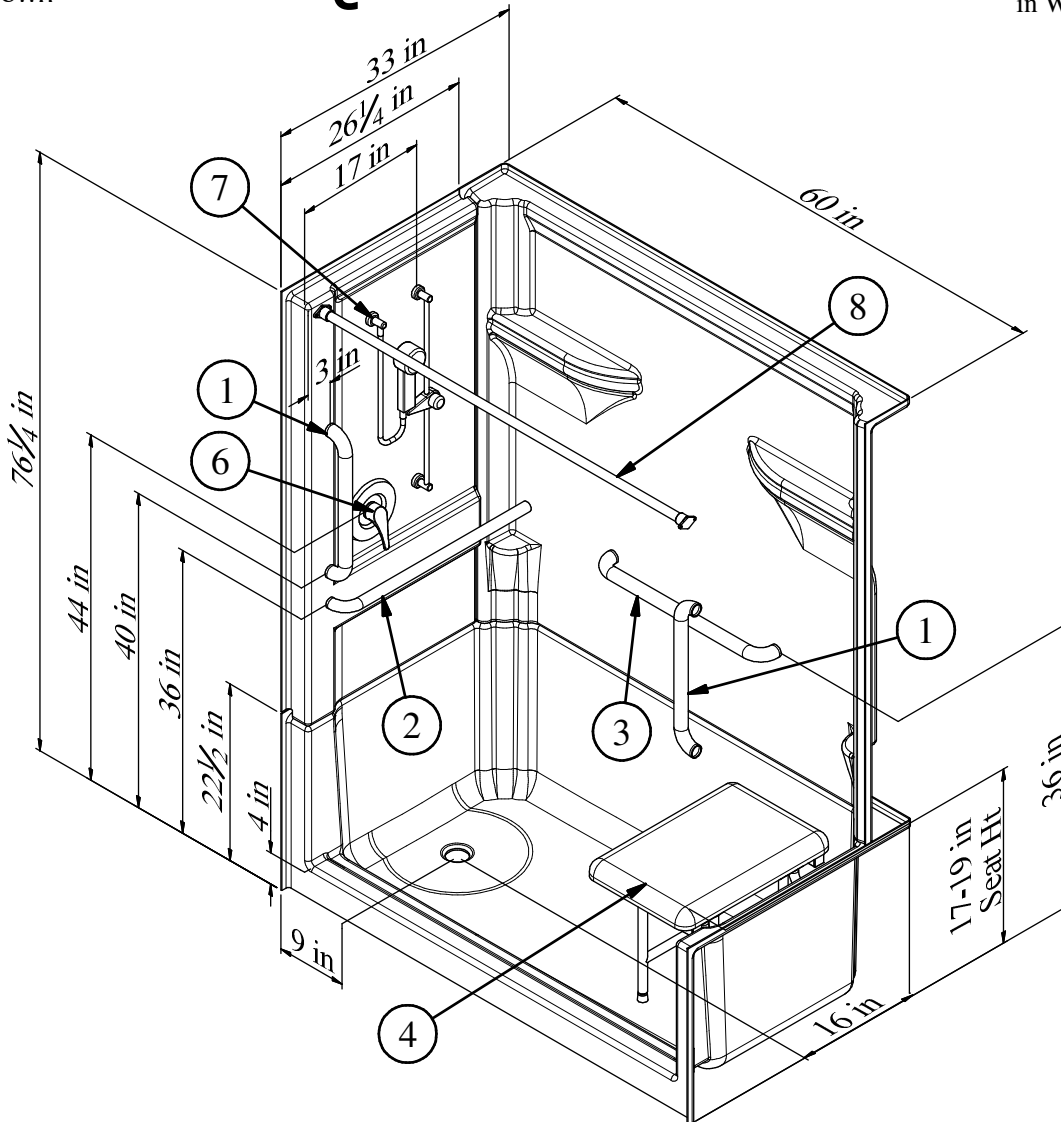


Left Hand Version
(4MS11L) Shown

Quantum Series

Right hand wall removed for clarity.
1-1/4" Grab Bars are available
in White or Textured White.



4MS11L or 4MS11R

60" [1524mm] 4-Piece Shower w/ 4" [102mm] Threshold, Left or Right Hand Drain, & Molded Shelving

RECOMMENDED ACCESSORIES

- 1. 18" WHITE GRAB BAR (Qty 2)
- 2. 26 3/4" WHITE GRAB BAR
- 3. 24" WHITE GRAB BAR
- 4. #400-22"-SDL-WF FOLDING SEAT
- 5. BRASS DRAIN (Not Shown)

- 6. #CH-SSMV-1 MIXING VALVE
- 7. #HHS-30CE HAND HELD SHWR
- 8. #CR-54 CURTAIN ROD
- 9. PREMIUM SHOWER CURTAIN (Not Shown)

Clarion
BATHWARE
44 Amsler Ave.
Shippensburg, PA 16254

Phone: (814) 226-5374
Toll Free: (800) 576-9228
Fax: (814) 226-0730
www.clarionbathware.com

Signatures For Approval:

Customer: _____
Arch./Engr: _____

Date: _____

Quote #: _____
Job Name: _____

DWG. #
4MS11L or R-ISO

By: NMH
Date: 1/11/2018