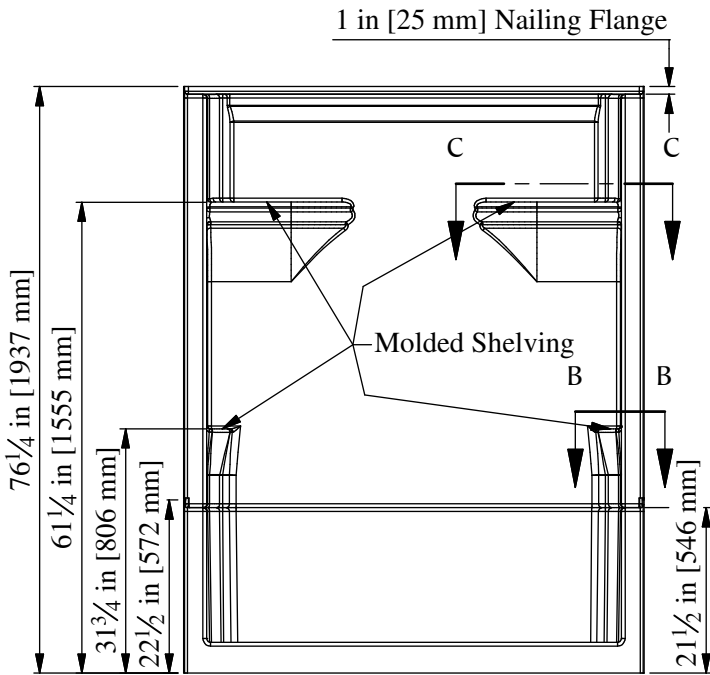
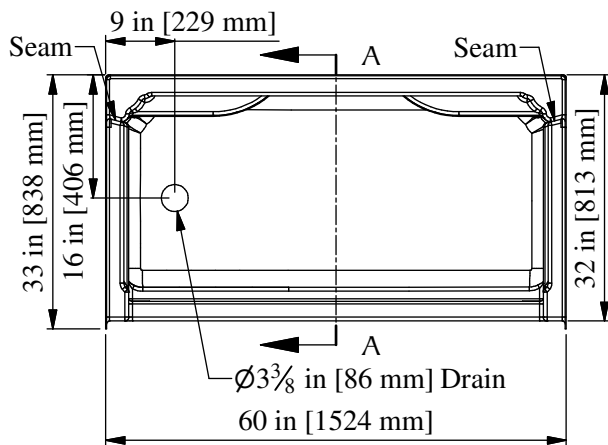


Quantum Series



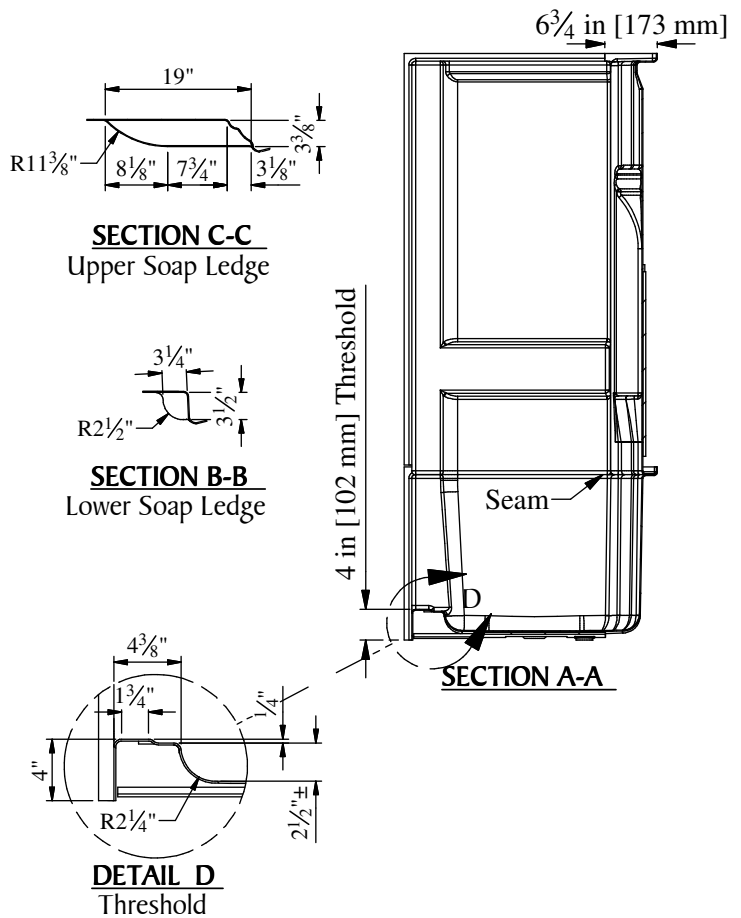
ELEVATION



PLAN

60" [1524mm] 4-Piece Shower
w/ 4" [102mm] Threshold & Molded Shelving

Left Hand Version (4MS11L) Shown



PRODUCT SPECIFICATIONS:

- Product complies with NAHB, HUD UM-73A, and ANSI-Z124.1.2.
- Product has a Class B fire rating as determined by ASTM E-84 test method.
- Special installation instructions for this unit must be followed carefully.
- Reinforced & slip resistant floor.
- Molded shelving on back wall.
- Integral 1" [25mm] nailing flange.
- Door Opening: W-53-3/4" [1365mm] x H-70 3/4" [1727mm]
- All dimensions +/- 1/2" [12.8mm]
- Clarion Bathware reserves the right to change design and/or dimensions.
- Dimensions are the same for all other versions of this model. Which include 4S11L or 4S11R

4MS11L or 4MS11R

60" [1524mm] 4-Piece Shower w/ 4" [102mm] Threshold, Left or Right Hand Drain, & Molded Shelving