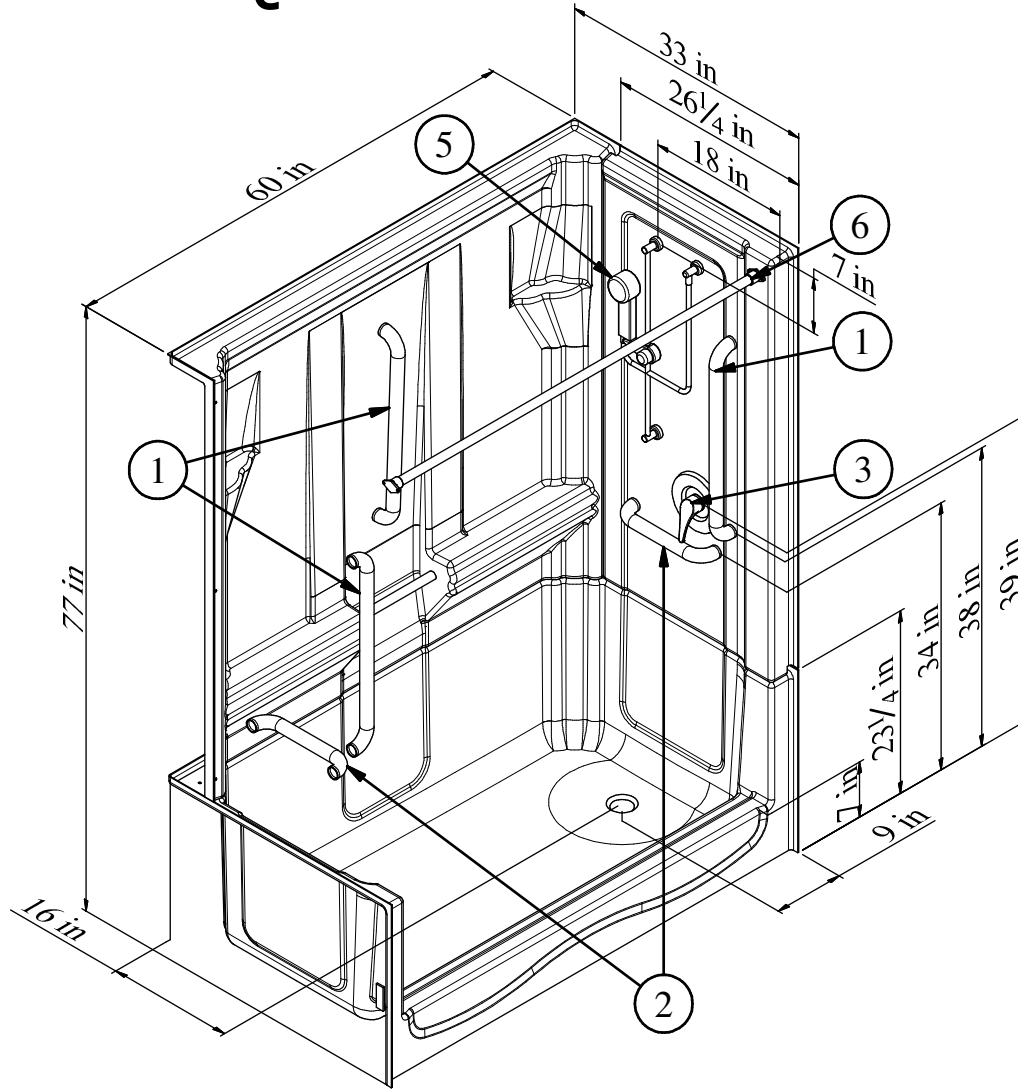


Right Hand Version  
(4MS10RT) Shown

## Quantum Series



### 4MS10LT or 4MS10RT

60" [1524mm] 4-Piece Shower w/ 7" [177mm] Threshold, Left or Right Hand Drain, & Molded Shelving

#### RECOMMENDED ACCESSORIES

- 1. 24" WHITE GRAB BAR (Qty 3)
- 2. 12" WHITE GRAB BAR (Qty 2)
- 3. #CH-SSMV-1 MIXING VALVE
- 4. BRASS DRAIN (Not Shown)

- 5. #HHS-30CE HAND HELD SHWR
- 6. #CR-54 CURTAIN ROD
- 7. PREMIUM SHOWER CURTAIN (Not Shown)

**Clarion**  
BATHWARE  
44 Amsler Ave.  
Shippenville, PA 16254

Phone: (814) 226-5374  
Toll Free: (800) 576-9228  
Fax: (814) 226-0730  
www.clarionbathware.com

Signatures For Approval:

Customer: \_\_\_\_\_  
Arch./Engr: \_\_\_\_\_

Date: \_\_\_\_\_

Quote #: \_\_\_\_\_  
Job Name: \_\_\_\_\_

DWG. #

4MS10LT or RT  
-ISO1

By: NMH

Date: 1/11/2018

\*\*\*IMPOTANT NOTICE\*\*\*

Clarion bathware reserves the right to change the design and/or dimensions of its products at any time. This drawing may have been updated since this publication was issued. Before placing an order for any product, refer to our website at www.clarionbathware.com to obtain the most current drawings for any products that you wish to purchase. Compare the date of revision of the drawing that you have with the one on the drawing on our website. If you do not have internet access, please call your sales representative or Clarion Bathware's sales department at 1-800-576-9228.