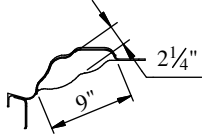
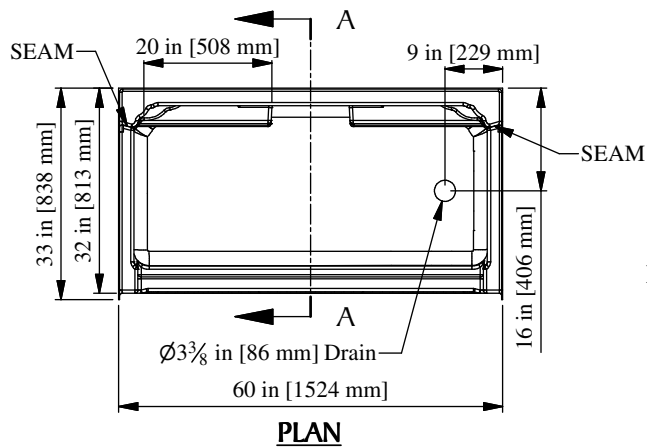
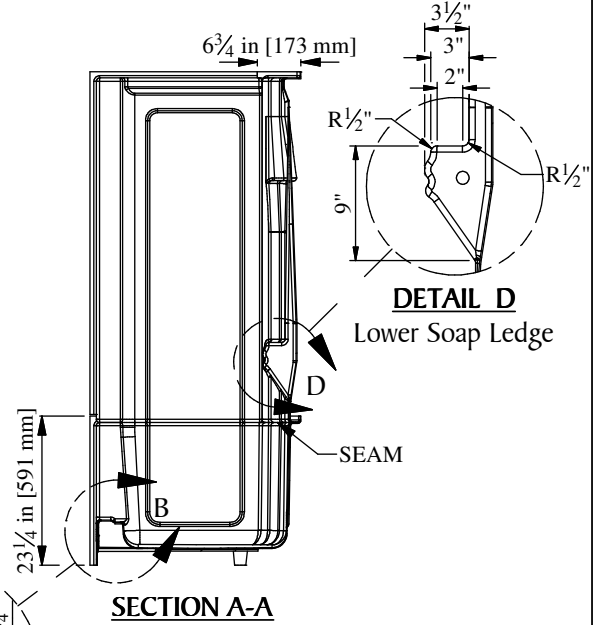
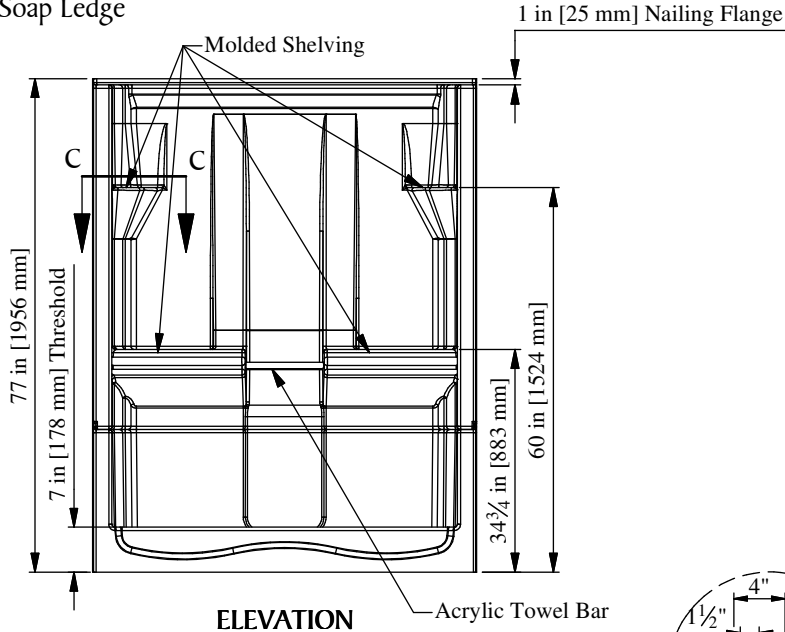


## Quantum Series



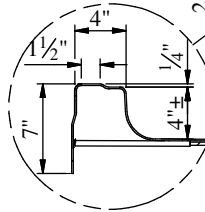
**SECTION C-C**

Upper Soap Ledge



60" [1524mm] 4-Piece Shower  
w/ 7" [178mm] Threshold & Left or Right Hand Drain

Right Hand Version (4MS10RT) Shown



Threshold

**PRODUCT SPECIFICATIONS:**

- \* Product complies with NAHB, HUD UM-73A, and ANSI-Z124.1.2.
- \* Special installation instructions for this unit must be followed carefully.
- \* Reinforced & slip resistant floor.
- \* Molded shelving on back wall.
- \* Integral 1" [25mm] nailing flange.
- \* Door Opening: W-53-3/4" [1365mm]  
H-68 1/2" [1727mm]
- \* All dimensions +/- 1/2" [12.8mm]
- \* Clarion Bathware reserves the right to change design and/or dimensions.
- \* Dimensions are the same for all other versions of this model.

### 4MS10LT or 4MS10RT

60" [1524mm] 4-Piece Shower w/ 7" [177mm] Threshold, Left or Right Hand Drain, & Molded Shelving

**Clarion**  
BATHWARE  
44 Amsler Ave.  
Shippensburg, PA 16254

Phone: (814) 226-5374  
Toll Free: (800) 576-9228  
Fax: (814) 226-0730  
www.clarionbathware.com

Signatures For Approval:

Customer: \_\_\_\_\_  
Arch./Engr: \_\_\_\_\_

Date: \_\_\_\_\_

Quote #: \_\_\_\_\_  
Job Name: \_\_\_\_\_

DWG. #

4MS10LT or RT -CUT

By: JDH

Date: 7/14/2020