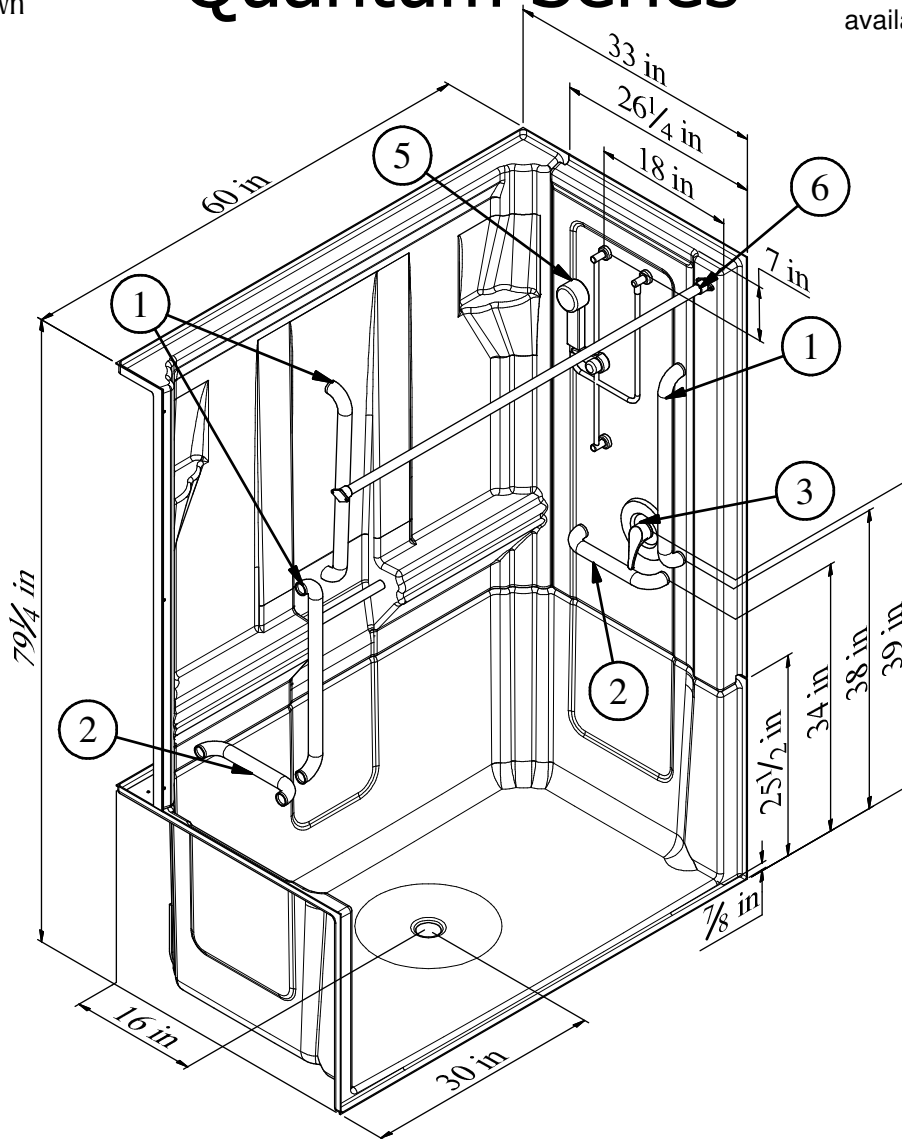


Right Hand Version
(4MS10RBF34T) Shown

Quantum Series

*We recommend all units with a 3/4" threshold use the available collapsible threshold.



4MS10LBF34T or 4MS10RBF34T

60" [1524mm] 4-Piece Barrier-Free Shower w/ 3/4" [19mm] Threshold, Center Drain, & Molded Shelving

RECOMMENDED ACCESSORIES

- 1. 24" WHITE GRAB BAR (Qty 3)
- 2. 12" WHITE GRAB BAR (Qty 2)
- 3. #CH-SSMV-1 MIXING VALVE
- 4. BRASS DRAIN (Not Shown)

- 5. #HHS-30CE HAND HELD SHWR
- 6. #CR-54 CURTAIN ROD
- 7. SHOWER CURTAIN (Not Shown)
- 8. Collapsible Threshold Kit .5a (Not Shown)

Clarion
BATHWARE
44 Amsler Ave.
Shipperville, PA 16254

Phone: (814) 226-5374
Toll Free: (800) 576-9228
Fax: (814) 226-0730
www.clarionbathware.com

Signatures For Approval:

Customer: _____
Arch./Engr: _____

Date: _____

Quote #: _____
Job Name: _____

DWG. #

4MS10LBF34T or
RBF34T -ISO2

By: NMH

Date: 1/11/2018

IMPOTANT NOTICE

Clarion bathware reserves the right to change the design and/or dimensions of its products at any time. This drawing may have been updated since this publication was issued. Before placing an order for any product, refer to our website at www.clarionbathware.com to obtain the most current drawings for any products that you wish to purchase. Compare the date of revision of the drawing that you have with the one on the drawing on our website. If you do not have internet access, please call your sales representative or Clarion Bathware's sales department at 1-800-576-9228.