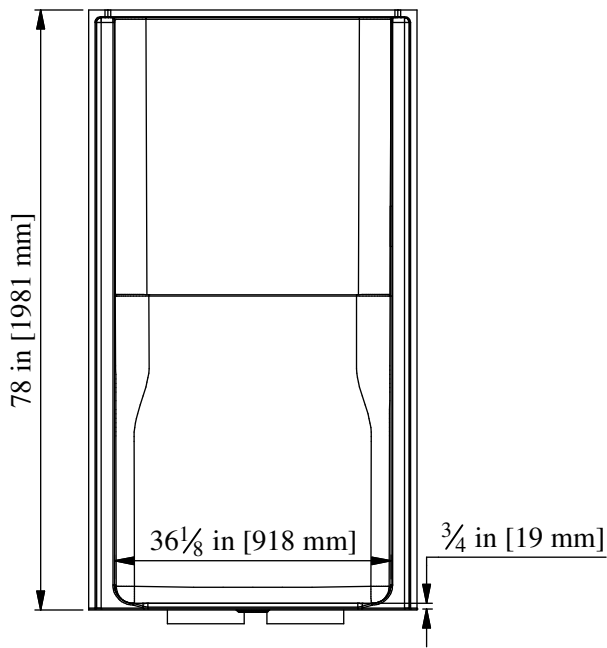
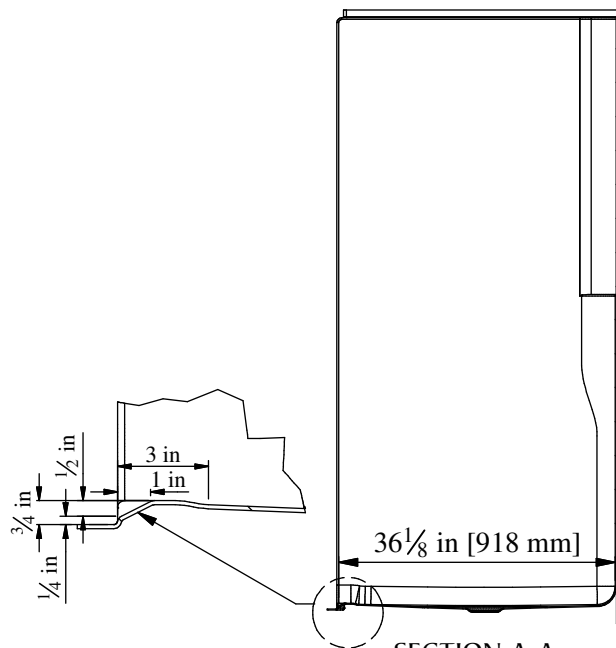


Clarion Independence Line[®]

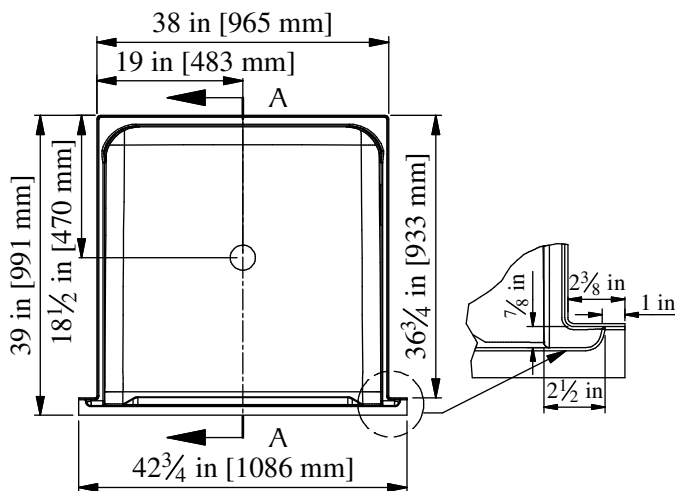
BATHWARE



ELEVATION



SECTION A-A



PLAN

38" (overall width 42-3/4") Barrier-Free Shower
w/ 3/4" Threshold & Double Return Flange

CENTER DRAIN

PRODUCT SPECIFICATIONS:

- Special installation instruction for this unit must be followed carefully.
- Product complies with NAHB, HUD UM-73A, and CSA B45.5-17/ IAPMO Z124-2017.
- This unit can be reinforced to meet the accessibility requirements for Type B dwellings upon request.
- When properly accessorized and installed, product will meet requirements of ADA (2010 Std), ICC/ANSI A117.1-2017, ABA or UFAS.
- Product has a Class B fire rating as determined by ASTM E-84 test method.
- Reinforced & slip resistant floor.
- Integral 1" [25mm] nailing flange.
- Integral 1" [25mm] floor nailing flange.
- Double return flanges.
- Shower Area: W- 36" [914mm] x D- 36" [914mm]
- Door Opening: W- 36" [914mm] x H- 75-3/4" [1924mm]
- All dimensions +/- 1/2" [12.8mm]
- Clarion Bathware reserves the right to change design and/or dimensions.
- Dimensions are the same for RE, MP, and all other versions of this model.

4238BF34

38" (overall width 42-3/4") Barrier-Free Shower w/ 3/4" [19mm] Threshold, Double Return Flange, & Center Drain

Clarion
BATHWARE
44 Amsler Ave.
Shippensburg, PA 16254

Phone: (814) 226-5374
Toll Free: (800) 576-9228
Fax: (814) 226-0730
www.clarionbathware.com

Signatures For Approval:

Customer: _____
Arch./Engr: _____

Date: _____

Quote #: _____
Job Name: _____

DWG. #

4238BF34 -CUT

By: NMH

Date: 1/08/2018