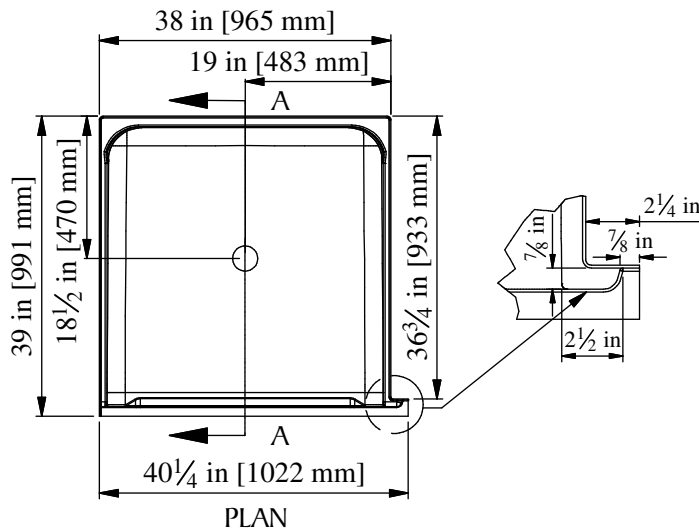
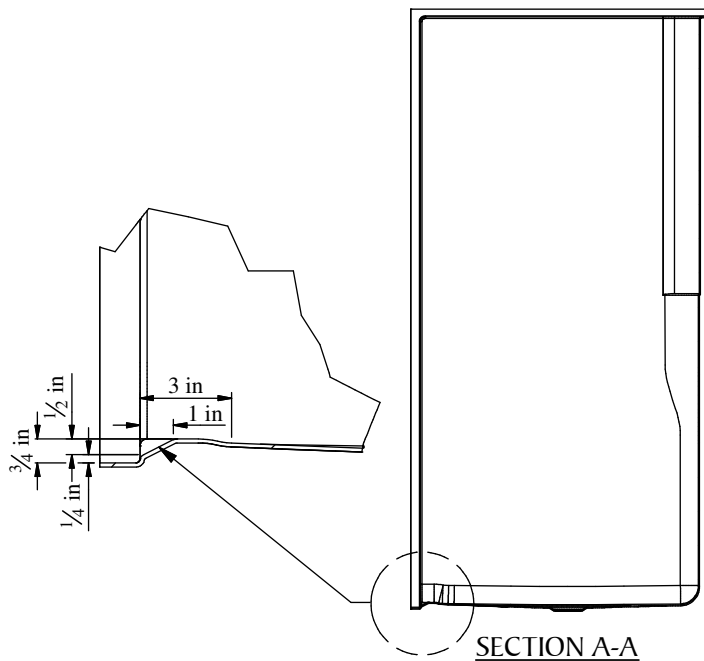
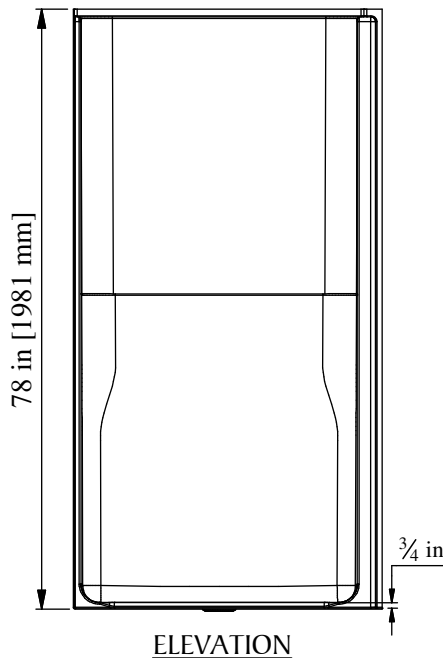


Clarion Independence Line®

BATHWARE



PRODUCT SPECIFICATIONS:

- Product material - Acrylix™ surface with fiberglass composite reinforcement.
- Special installation instruction for this unit must be followed carefully.
- Product complies with NAHB, HUD UM-73A, and CSA B45.5-17/ IAPMO Z124-2017.
- This unit can be reinforced to meet the accessibility requirements for Type B dwellings upon request.
- When properly accessorized and installed, product will meet requirements of ADA (2010 Std), ICC/ANSI A117.1-2017, ABA or UFAS.
- Product has a Class B fire rating as determined by ASTM E-84 test method.
- Reinforced & slip resistant floor.
- Integral 1" [25mm] nailing flange.
- Integral 1" [25mm] floor nailing flange.
- Shower Area: W- 36" [914mm] x D- 36" [914mm]
- Door Opening: W- 36" [914mm] x H- 75-3/4" [1924mm]
- All dimensions =/ - 1/2" [12.8mm]
- Clarion Bathware reserves the right to change design and/or dimensions.
- Dimensions are the same for RE, MP, and all other versions of this model.

38" (overall width 40-1/4") Barrier-Free Shower
w/ 3/4" [19mm] Threshold &
Left or Right Hand Return Flange

Right Side Return Flange (4038BF34) Shown
CENTER DRAIN

4038BF34 or 4039BF34

38" (overall width 40-1/4") Barrier-Free Shower w/ 3/4" [19mm] Threshold, Left or Right Hand Return Flange, & Center Drain

Clarion
BATHWARE
44 Amsler Ave.
Shippensburg, PA 16254

Phone: (814) 226-5374
Toll Free: (800) 576-9228
Fax: (814) 226-0730
www.clarionbathware.com

Signatures For Approval:

Customer: _____
Arch./Engr: _____

Date: _____

Quote #: _____
Job Name: _____

DWG. #

4038BF34 or
4039BF34 -CUT

By: NMH

Date: 1/03/2018

IMPOTANT NOTICE

Clarion bathware reserves the right to change the design and/or dimensions of its products at any time. This drawing may have been updated since this publication was issued. Before placing an order for any product, refer to our website at www.clarionbathware.com to obtain the most current drawings for any products that you wish to purchase. Compare the date of revision of the drawing that you have with the one on the drawing on our website. If you do not have internet access, please call your sales representative or Clarion Bathware's sales department at 1-800-576-9228.